

POMPA AD INGRANAGGI TANDEM NPH SAE "B" NPH TANDEM SAE "B" GEAR PUMP

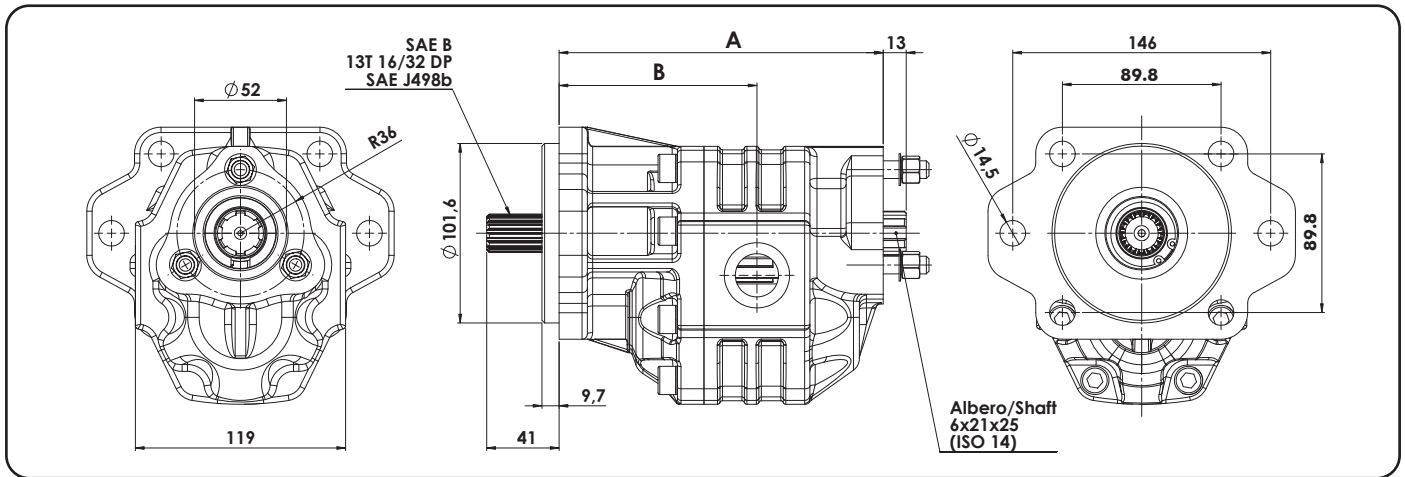
CODICE FAMIGLIA
FAMILY CODE

105-039
105-939

**TANDEM NPH
SAE "B"**



Fluido idraulico Fluid	Minerale o sintetico compatibile con guarnizioni: Mineral or synthetic compatible with the following seals: NBR, FKM, FPM, Nylon				
Viscosità cinematica consigliata Kinematic viscosity suggested	T media ambiente (°C) Average ambient temp. (°C)	< -10	-10 ÷ 10	10 ÷ 35	> 35
	VG (cSt = mm ² /s)	22	32	46	68
Viscosità cinematica ottimale di esercizio Optimale kinematic viscosity			VG = 10 cSt ÷ 100 cSt		
Viscosità cinematica max consentita all'avviamento Max kinematic viscosity suggested at the start-up			VG = 750 cSt		
Indice di viscosità consigliato Viscosity index suggested		VI > 100	Temperatura di esercizio Working temperature		
Grado di filtrazione Oil filtering		> 200 bar: 10 µm < 200 bar: 25 µm			
Pressione di aspirazione Inlet pressure		-0,3 ÷ 2 bar			
Senso di rotazione Pump rotation		Unidirezionale (DX o SX) Unidirectional (Right or Left)			



Tipo pompa Pump type	Rotazione / Rotation		Attacchi / Ports	A mm	B mm	Peso Weight kg	A inch	B inch	Peso Weight lb
	Destra / Right	Sinistra / Left							
NPH-17 SAE-B	105-039-00173	105-039-00182	ISO 725 3/4-16 UNF-2B SAE 8	161.5	100.5	12.3	6.35	3.93	27.1
NPH-22 SAE-B	105-039-00226	105-039-00235		165	103	12.6	6.49	4	27.7
NPH-27 SAE-B	105-039-00271	105-039-00280		167.5	105.5	12.7	6.59	4.15	28
NPH-34 SAE-B	105-039-00342	105-039-00351	1 1/16-12 UN-2B SAE 12	172.5	105.5	12.8	6.79	4.15	28.2
NPH-43 SAE-B	105-039-00431	105-039-00440		178.5	111.5	13.6	7	4.38	29.9
NPH-51 SAE-B	105-039-00511	105-039-00520		183.5	112	13.8	7.22	4.4	30.4
NPH-61 SAE-B	105-039-00619	105-039-00628	1 5/16-12 UN-2B SAE 16	189.5	118	14.4	7.46	4.64	31.7
NPH-73 SAE-B	105-039-00735	105-039-00744		197.5	117	15	7.77	4.6	33
NPH-82 SAE-B	105-039-00824	105-039-00833	1 5/8-12 UN-2B SAE 20	202.5	118	15.5	7.97	4.88	34.2
			ISO 228						
NPH-17 SAE-B	105-939-00174	105-939-00183	G 1/2"	161.5	100.5	12.3	6.35	3.93	27.1
NPH-22 SAE-B	105-939-00227	105-939-00236		165	103	12.6	6.49	4	27.7
NPH-27 SAE-B	105-939-00272	105-939-00281		167.5	105.5	12.7	6.59	4.15	28
NPH-34 SAE-B	105-939-00343	105-939-00352	G 3/4"	172.5	105.5	12.8	6.79	4.15	28.2
NPH-43 SAE-B	105-939-00432	105-939-00441		178.5	111.5	13.6	7	4.38	29.9
NPH-51 SAE-B	105-939-00512	105-939-00521		183.5	112	13.8	7.22	4.4	30.4
NPH-61 SAE-B	105-939-00610	105-939-00629	G 1"	189.5	118	14.4	7.46	4.64	31.7
NPH-73 SAE-B	105-939-00736	105-939-00745		197.5	117	15	7.77	4.6	33
NPH-82 SAE-B	105-939-00825	105-939-00834	G 1-1/4"	202.5	118	15.5	7.97	4.88	34.2

pag.1

OMFB
HYDRAULIC COMPONENTS

O.M.F.B. S.p.A. Hydraulic Components

We reserve the right to make any changes without notice.

Edition 2006.02 No reproduction, however partial, is permitted.

Via Cave, 7/9 25050 Provaglio d'Iseo (Brescia) Italy Tel.: +39.030.9830611
Fax: +39.030.9839207-208 Internet:www.omfb.it e-mail:contatti@omfb.it

COMPANY WITH
QUALITY SYSTEM
CERTIFIED BY DNV GL
= ISO 9001:2015 =

CARATTERISTICHE TECNICHE DI FUNZIONAMENTO

Tipo pompa TANDEM	Cilindrata cm ³ /rev	Pressione			Velocità max. continua rpm	Velocità max. intermittente rpm	Velocità minima rpm
		P1 bar	P2 bar	P3 bar			
NPH-17 SAE-B	17.04	290	315	325	2500	3000	300
NPH-22 SAE-B	22.15						
NPH-27 SAE-B	26.18						
NPH-34 SAE-B	33.88	280	300	310	2200	2800	
NPH-43 SAE-B	43.12	270	290	300	2000	2500	
NPH-51 SAE-B	50.82	240	260	280			
NPH-61 SAE-B	60.06	220	240	250	1800	2000	
NPH-73 SAE-B	72.88	200	220	220	1600	1800	
NPH-82 SAE-B	81.08	190	200	200	1500		

TECHNICAL FEATURES

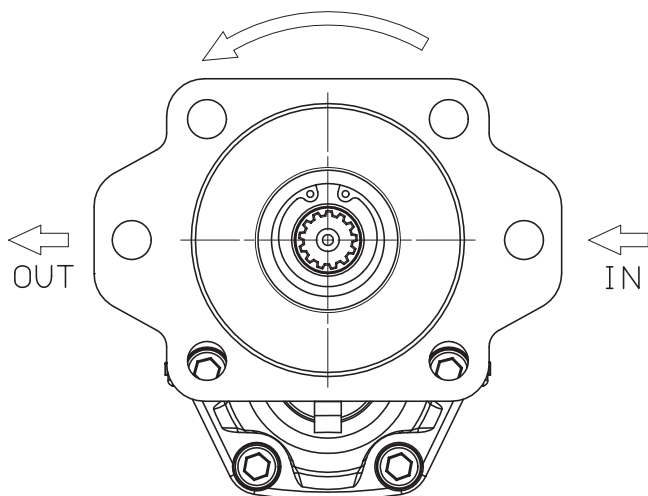
TANDEM Pump type	Displacement inch ³ /giro	Pressure			Max. continuous speed rpm	Max. intermittent speed rpm	Min. speed rpm
		P1 psi	P2 psi	P3 psi			
NPH-17 SAE-B	1.04	4205	4567,5	4712,5	2500	3000	300
NPH-22 SAE-B	1.35						
NPH-27 SAE-B	1.60						
NPH-34 SAE-B	2.07	4060	4350	4495	2200	2800	
NPH-43 SAE-B	2.63	3915	4205	4350	2000	2500	
NPH-51 SAE-B	3.06	3480	3770	4060			
NPH-61 SAE-B	3.66	3190	3480	3625	1800	2000	
NPH-73 SAE-B	4.45	2900	3190	3190	1600	1800	
NPH-82 SAE-B	4.95	2755	2900	2900	1500		

P1=Pressione max. continua
P2=Pressione max. intermittente
P3=Pressione max. di punta

Max. continuous pressure (100%)
Max. Intermittent pressure (20 sec.max.)
Max. peak pressure (6 sec.max.)

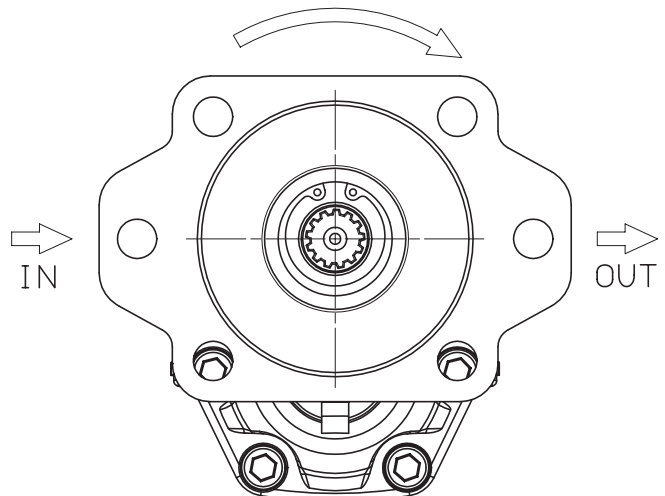
SENSO DI ROTAZIONE POMPA
DIRECTION OF ROTATION

Rotazione antioraria, pompa sinistra
Anti-clockwise rotation, left pump



FRONT

Rotazione oraria, pompa destra
Clockwise rotation, right pump



FRONT