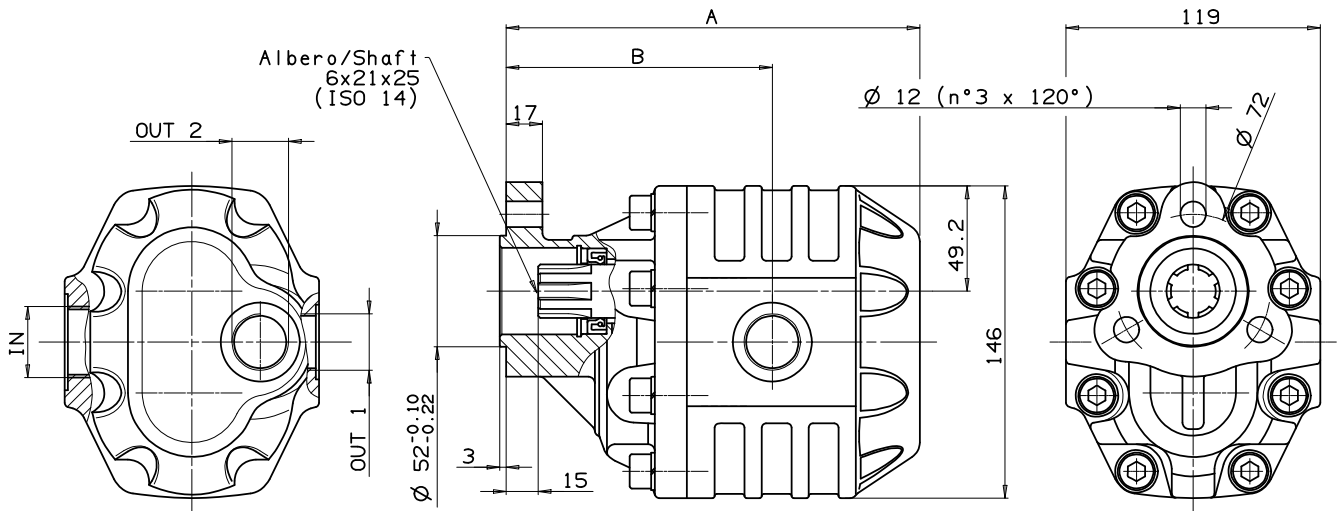


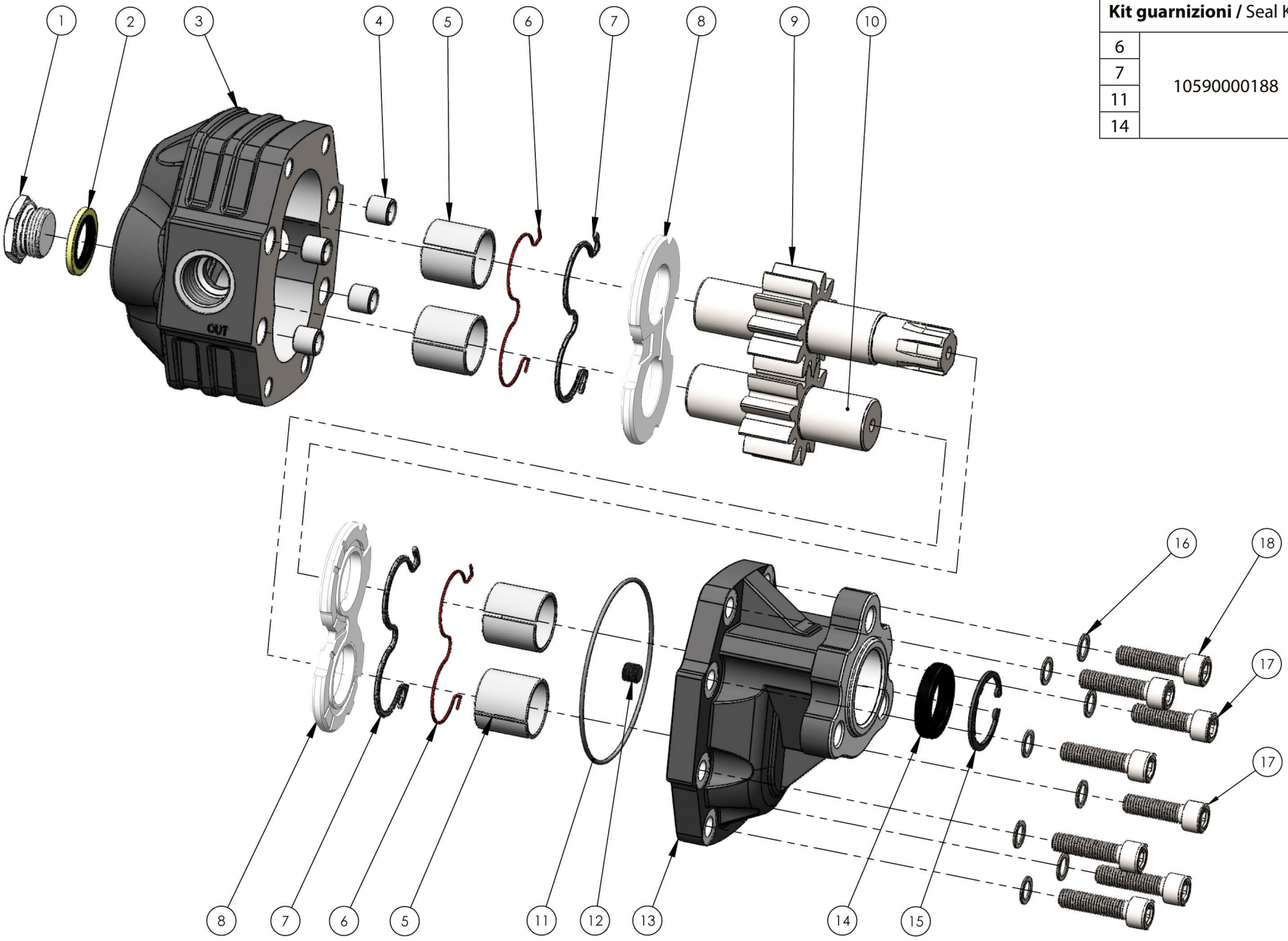
| | | | | | |
|--|---|----------|--|-------|------|
| Fluido idraulico <i>Fluid</i> | Minerale o sintetico compatibile con guarnizioni: <i>Mineral or synthetic compatible with the following seals:</i> NBR, FKM, FPM, Nylon | | | | |
| Viscosità cinematica consigliata <i>Kinematic viscosity suggested</i> | T media ambiente (°C) <i>Average ambient temp. (°C)</i> | < -10 | -10÷10 | 10÷35 | > 35 |
| | VG (cSt = mm ² /s) | 22 | 32 | 46 | 68 |
| Viscosità cinematica ottimale di esercizio <i>Optimale kinematic viscosity</i> | | | VG= 10 cSt ÷ 100 cSt | | |
| Viscosità cinematica max consentita all'avviamento <i>Max kinematic viscosity suggested at the start-up</i> | | | VG= 750 cSt | | |
| Indice di viscosità consigliato <i>Viscosity index suggested</i> | | VI > 100 | Temperatura di esercizio <i>Working temperature</i> | | |
| | | | -15°C +100°C | | |
| Grado di filtrazione <i>Oil filtering</i> | | | > 200 bar: 10 µm < 200 bar: 25 µm | | |
| Pressione di aspirazione <i>Inlet pressure</i> | | | -0,3 ÷ 2 bar | | |
| Senso di rotazione <i>Pump rotation</i> | | | Unidirezionale <i>Unidirectional</i> | | |

Ingombro / Dimensions

Dati tecnici / Technical data

| Tipo pompa <i>Pump type</i> | Rotazione <i>Rotation</i> | | IN | OUT 1 | OUT 2 | A | B | Peso <i>Weight</i> |
|--------------------------------|------------------------------|-----------------|---------|---------|---------|-------|-------|-----------------------|
| | Destra / Right | Sinistra / Left | | | | | | |
| | | | ISO 228 | ISO 228 | ISO 228 | mm | mm | Kg |
| NPH-17 | 10501100175 | 10501100184 | G 1/2 | G 1/2 | | 152.5 | 103.5 | 8.5 |
| NPH-22 | 10501100228 | 10501100237 | | | | 156 | 105.5 | 9 |
| NPH-27 | 10501100273 | 10501100282 | G 3/4 | | | 158.5 | 108 | 9.5 |
| NPH-34 | 10501100344 | 10501100353 | | | | 163.5 | 109 | 10.5 |
| NPH-43 | 10501100433 | 10501100442 | G 1 | | | 169.5 | 114 | 11 |
| NPH-51 | 10501100513 | 10501100522 | | | | 174.5 | 114.5 | 11.5 |
| NPH-61 | 10501100611 | 10501100620 | G 1 | | | 180.5 | 120.5 | 12 |
| NPH-73 | 10501100737 | 10501100746 | | | | 188.5 | 119.5 | 12.5 |
| NPH-82 | 10501100826 | 10501100835 | G 1 1/4 | | | 193.5 | 124.5 | 13 |
| NPH-90 | 10501100906 | 10501100915 | | | | 204.5 | 132.5 | 13.5 |
| NPH-100 | 10501101003 | 10501101012 | G 1 1/4 | G 1 | G 3/4 | 210.5 | 138.5 | 14 |
| NPH-125 | 10501101254 | 10501101263 | | | | 226.5 | 142.5 | 16 |

Kit guarnizioni / Seal Kit

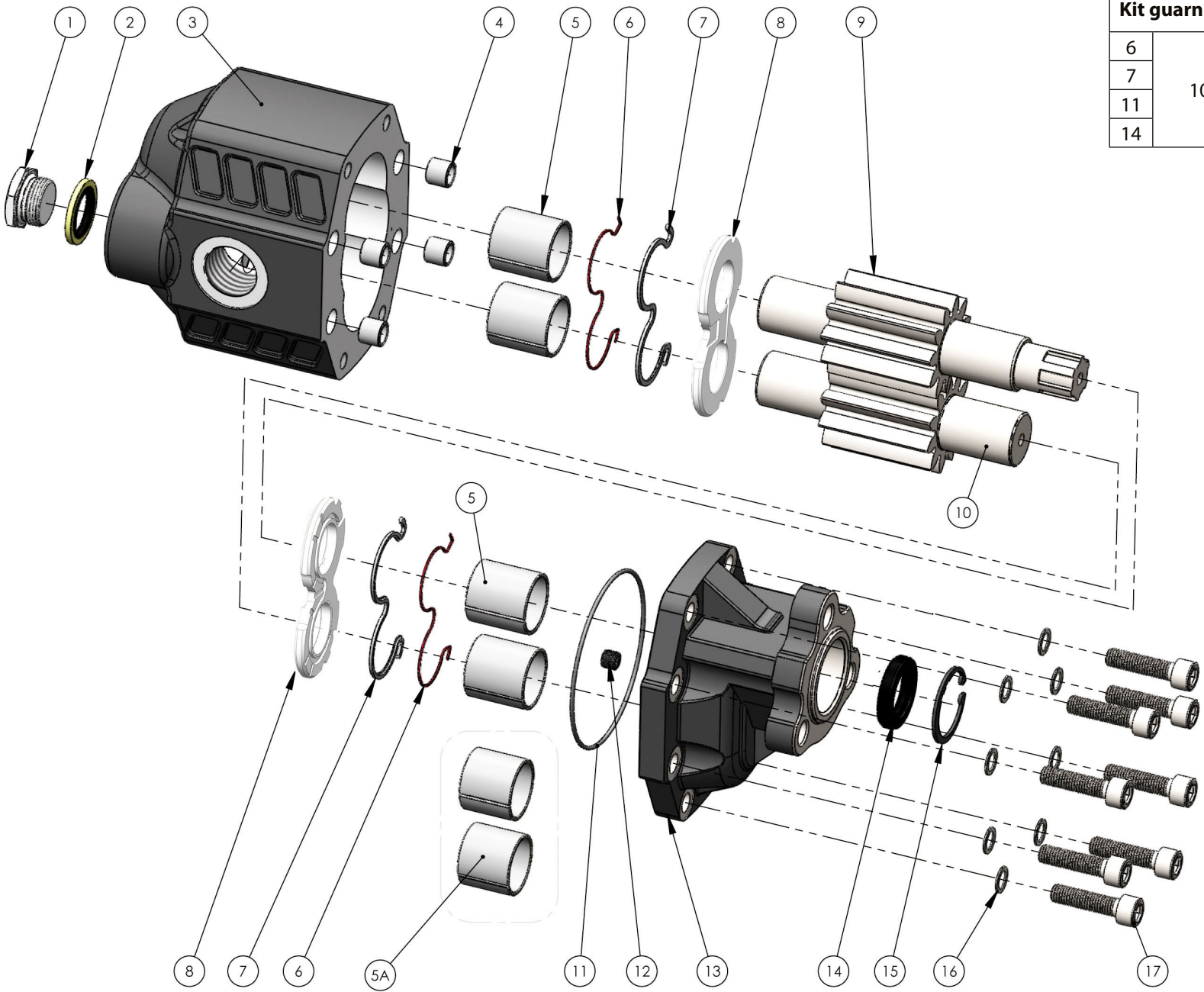
| | |
|----|-------------|
| 6 | 10590000188 |
| 7 | |
| 11 | |
| 14 | |



| N° | 17 | 22 | 27 | 34 | 43 | 51 | 61 | 73 | 82 | Codice/Code | Descrizione / Description | Q. | |
|----|----|----|----|----|----|----|----|----|-------------|---------------|------------------------------------|--------------------------|---|
| 1 | . | . | . | | | | | | | 54000200110 | Tappo Acciaio 1/2" | Steel plug 1/2" | 1 |
| | | | | . | . | . | . | . | . | 54000200129 | Tappo Acciaio 3/4" | Steel plug 3/4" | |
| 2 | . | . | . | | | | | | | 11600910129 | Rondella acciaio-gomma 1/2" | Steel-rubber washer 1/2" | 1 |
| | | | | . | . | . | . | . | . | 11600910343 | Rondella acciaio-gomma 3/4" | Steel-rubber washer 3/4" | |
| 3 | . | | | | | | | | | 51701000173 | Corpo pompa | Gear housing | 1 |
| | | . | | | | | | | | 51701000226 | | | |
| | | | . | | | | | | | 51701000271 | | | |
| | | | | . | | | | | | 51701000342 | | | |
| | | | | | . | | | | | 51701000431 | | | |
| | | | | | | . | | | | 51701000511 | | | |
| | | | | | | | . | | | 51701000619 | | | |
| | | | | | | | . | | 51701000717 | | | | |
| | | | | | | | | . | 51701000824 | | | | |
| 4 | . | . | . | . | . | . | . | . | . | 50100300282 | Spine forate di centraggio 14x12.5 | Pins 14x12.5 | 4 |
| 5 | . | . | . | . | . | . | . | . | . | 53300400033 | Boccola autolub. 28x32x30 | Bushing 28x32x30 | 4 |
| 6 | . | . | . | . | . | . | . | . | . | 50600001097 | Guarnizione antiestrusione | Back-up ring | 2 |
| 7 | . | . | . | . | . | . | . | . | . | 50600001088 | Guarnizione per rasamento | Thrust plate seal | 2 |
| 8 | . | . | . | . | . | . | . | . | . | 51001000293 | Rasamento ad occhiale | Thrust plate | 2 |
| 9 | . | | | | | | | | | 52302000178 | Albero dentato conduttore | Drive shaft | 1 |
| | | . | | | | | | | | 52302000221 | | | |
| | | | . | | | | | | | 52302000276 | | | |
| | | | | . | | | | | | 52302000347 | | | |
| | | | | | . | | | | | 52302000436 | | | |
| | | | | | | . | | | | 52302000516 | | | |
| | | | | | | | . | | | 52302000614 | | | |
| | | | | | | | . | | 52302000712 | | | | |
| | | | | | | | | . | 52302000829 | | | | |
| 10 | . | | | | | | | | | 52302100177 | Albero dentato condotto | Driven shaft | 1 |
| | | . | | | | | | | | 52302100220 | | | |
| | | | . | | | | | | | 52302100275 | | | |
| | | | | . | | | | | | 52302100346 | | | |
| | | | | | . | | | | | 52302100435 | | | |
| | | | | | | . | | | | 52302100515 | | | |
| | | | | | | | . | | | 52302100613 | | | |
| | | | | | | | . | | 52302100711 | | | | |
| | | | | | | | | . | 52302100828 | | | | |
| 11 | . | . | . | . | . | . | . | . | . | 50600001579 | Guarnizione OR (2x95) | O-ring (2x95) | 1 |
| 12 | . | . | . | . | . | . | . | . | . | 50401000063 | Grano conico 1/8" | Plug 1/8" | 1 |
| 13 | . | . | . | . | . | . | . | . | . | 51800300107 | Coperchio anteriore | Mounting cover | 1 |
| 14 | . | . | . | . | . | . | . | . | . | 50602425401 | Guarnizione paraolio | Oil seal | 1 |
| 15 | . | . | . | . | . | . | . | . | . | 50100100373 | Anello elastico | Circlip | 1 |
| 16 | . | . | . | . | . | . | . | . | . | 50102000101 | Rondella elastica | Washer | 8 |
| 17 | | | | | | | | . | | 50200400565 | Vite TCE M10x35 | Screw M10x35 | 2 |
| 18 | . | . | . | . | . | . | . | . | | 502-004-00574 | Vite TCE M10x40 | Screw M10x40 | 8 |
| | | | | | | | | . | 6 | | | | |

Kit guarnizioni / Seal Kit

| | |
|----|-------------|
| 6 | 10590000320 |
| 7 | |
| 11 | |
| 14 | |



| N° | 90 | 100 | 125 | Codice/Code | Descrizione / Description | | Q. |
|----|----|-----|-----|-------------|------------------------------------|--------------------------|----|
| 1 | . | . | . | 54000200129 | Tappo Acciaio 3/4" | Steel plug 3/4" | 1 |
| 2 | . | . | . | 11600910343 | Rondella acciaio-gomma 3/4" | Steel-rubber washer 3/4" | 1 |
| 3 | . | | | 51701000904 | Corpo pompa | Gear housing | 1 |
| | | . | | 51701000995 | | | |
| | | | . | 51701001252 | | | |
| 4 | . | . | . | 50100300282 | Spine forate di centraggio 14x12.5 | Pins 14x12.5 | 4 |
| 5 | . | | | 53300400060 | Boccola autolub. 30x34x35 | Bushing 30x34x35 | 2 |
| | | . | . | | | | 4 |
| 5a | . | | | 53300400355 | Boccola autolub. 30x34x30 | Bushing 30x34x30 | 2 |
| 6 | . | . | . | 50600001284 | Guarnizione antiestrusione | Back-up ring | 2 |
| 7 | . | . | . | 50600001275 | Guarnizione per rasamento | Thrust plate seal | 2 |
| 8 | . | . | . | 51001000346 | Rasamento ad occhiale | Thrust plate | 2 |
| 9 | . | | | 52302300906 | Albero dentato conduttore | Drive shaft | 1 |
| | | . | | 52302301003 | | | |
| | | | . | 52302301254 | | | |
| 10 | . | | | 52302300915 | Albero dentato condotto | Driven shaft | 1 |
| | | . | | 52302301012 | | | |
| | | | . | 52302301263 | | | |
| 11 | . | . | . | 50600001579 | Guarnizione OR (2x95) | O-ring (2x95) | 1 |
| 12 | . | . | . | 50401000063 | Grano conico 1/8" | Plug 1/8" | 1 |
| 13 | . | | | 51800300518 | Coperchio anteriore | Mounting cover | 1 |
| | | . | . | 51800300134 | | | |
| 14 | . | . | . | 50602425401 | Guarnizione paraolio | Oil seal | 1 |
| 15 | . | . | . | 50100100373 | Anello elastico | Circlip | 1 |
| 16 | . | . | . | 50102000101 | Rondella elastica | Washer | 8 |
| 17 | . | . | . | 50200400574 | Vite TCE M10x40 | Screw M10x40 | 8 |

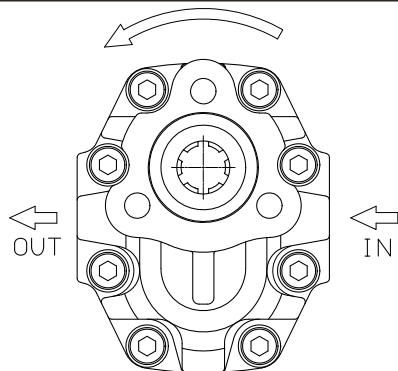
CARATTERISTICHE TECNICHE DI FUNZIONAMENTO - TECHNICAL FEATURES

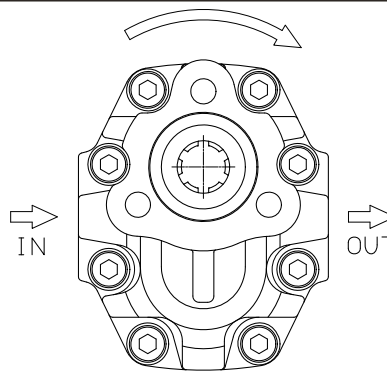
| Tipo pompa Pump type | Cilindrata Displacement cm ³ /rev | Pressione Pressure | | | Velocità max. continua Max. continuous speed rpm | Velocità max. intermittente Max. intermittent speed rpm | Velocità min. Min. speed rpm |
|-------------------------|--|-----------------------|-----|-----|--|---|---|
| | | P1 | P2 | P3 | | | |
| | | bar | bar | bar | | | |
| NPH-17 | 17.04 | 290 | 315 | 325 | 2500 | 3000 | 300 |
| NPH-22 | 22.15 | | | | | | |
| NPH-27 | 26.18 | | | | | | |
| NPH-34 | 33.88 | 280 | 300 | 310 | 2200 | 2800 | |
| NPH-43 | 43.12 | 270 | 290 | 300 | 2000 | 2500 | |
| NPH-51 | 50.82 | 240 | 260 | 280 | | | |
| NPH-61 | 60.06 | 220 | 240 | 250 | 1900 | 2500 | |
| NPH-73 | 72.88 | 205 | 225 | 230 | 1900 | 2500 | |
| NPH-82 | 81.08 | 205 | 225 | 230 | 1900 | 2500 | |
| NPH-90 | 90.43 | 180 | 200 | 220 | 1900 | 2500 | |
| NPH-100 | 98.18 | 180 | 200 | 220 | 1500 | 1800 | |
| NPH-125 | 122.72 | 160 | 180 | 200 | 1500 | 1800 | |

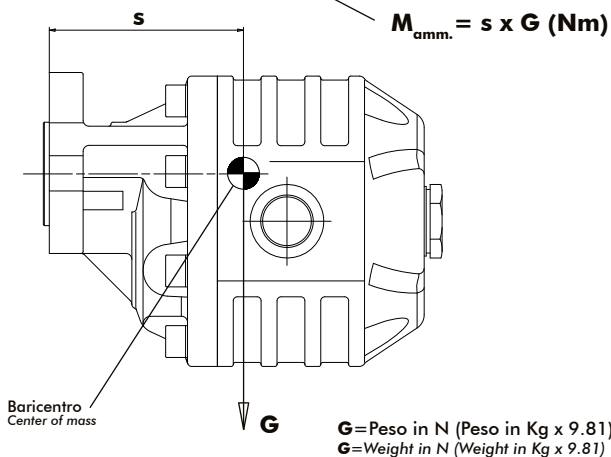
P1=Pressione max.continua
P2=Pressione max. intermittente
P3=Pressione max. di punta

Max. continuous pressure
Max. Intermittent pressure
Max. peak pressure

(100%)
(20 sec.max.)
(6 sec.max)

IDENTIFICAZIONE ASPIRAZIONE/MANDATA / SUCTION/DELIVERY IDENTIFICATION:
Rotazione antioraria, pompa sinistra
Anti-clockwise rotation, left pump

 Vista FRONTALE
FRONT

Rotazione oraria, pompa destra
Clockwise rotation, right pump

 Vista FRONTALE
FRONT

MOMENTO PESO / MASS MOMENT


| Tipo pompa - Pump type | S |
|------------------------|----------|
| NPH-17 | 93 |
| NPH-22 | 94 |
| NPH-27 | 96 |
| NPH-34 | 99 |
| NPH-43 | 101 |
| NPH-51 | 103 |
| NPH-61 | 106 |
| NPH-73 | 110 |
| NPH-82 | 113 |
| NPH-90 | 120 |
| NPH-100 | 122 |
| NPH-125 | 130 |

PER MODIFICARE IL SENSO DI ROTAZIONE VEDERE ISTRUZ. 99700200042
TO CHANGE THE DIRECTION OF ROTATION SEE INSTRUCTION 99700200042