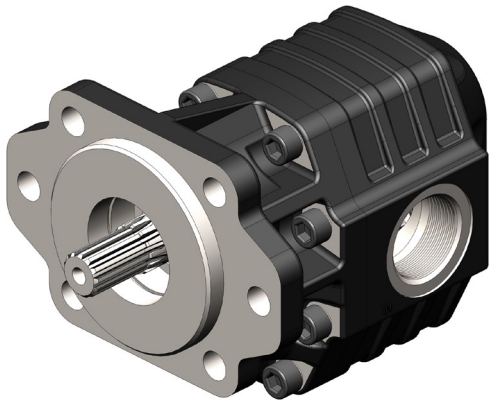


# POMPA AD INGRANAGGI NPH SAE "B" NPH SAE "B" GEAR PUMP

CODICE FAMIGLIA  
FAMILY CODE

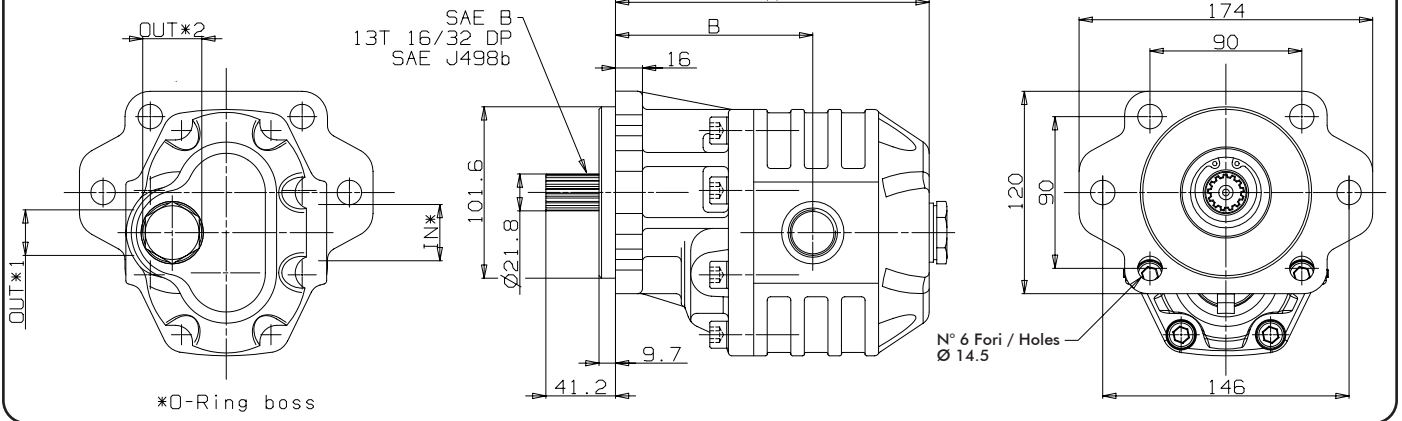
**105-035**  
**105-935**

**NPH SAE "B"**



Fluido idraulico Fluid	Minerale o sintetico compatibile con guarnizioni: Mineral or synthetic compatible with the following seals: NBR, FKM, FPM, Nylon				
Viscosità cinematica consigliata Kinematic viscosity suggested	T media ambiente (°C) Average ambient temp. (°C)	< -10	-10 ÷ 10	10 ÷ 35	> 35
	VG (cSt = mm <sup>2</sup> /s)	22	32	46	68
Viscosità cinematica ottimale di esercizio Optimale kinematic viscosity			VG = 10 cSt ÷ 100 cSt		
Viscosità cinematica max consentita all'avviamento Max kinematic viscosity suggested at the start-up			VG = 750 cSt		
Indice di viscosità consigliato Viscosity index suggested	VI > 100	Temperatura di esercizio Working temperature -15°C +100°C			
Grado di filtrazione Oil filtering			> 200 bar: 10 µm < 200 bar: 25 µm		
Pressione di aspirazione Inlet pressure			-0,3 ÷ 2 bar		
Senso di rotazione Pump rotation			Unidirezionale (DX o SX) Unidirectional (Right or Left)		

## Dimensions in mm



Tipo pompa Pump type	Rotazione / Rotation		IN	OUT 1	OUT 2	A	B	Peso Weight	A	B	Peso Weight
	Destra / Right	Sinistra / Left									
<b>NPH-17 SAE-B</b>	<b>105-035-00177</b>	<b>105-035-00186</b>	3/4-16 UNF-2B SAE 8	3/4-16 UNF-2B SAE 8		150	101	12	5,91	3,98	26.4
<b>NPH-22 SAE-B</b>	<b>105-035-00220</b>	<b>105-035-00239</b>				153.5	103	12.3	6.04	4.11	27.1
<b>NPH-27 SAE-B</b>	<b>105-035-00275</b>	<b>105-035-00284</b>	1 1/16-12 UN-2B SAE 12			156	105.5	12.4	6.14	4.15	27.3
<b>NPH-34 SAE-B</b>	<b>105-035-00346</b>	<b>105-035-00355</b>				161	106.5	12.5	6.34	4.19	27.5
<b>NPH-43 SAE-B</b>	<b>105-035-00435</b>	<b>105-035-00444</b>				167	111.5	13.3	6.57	4.39	29.3
<b>NPH-51 SAE-B</b>	<b>105-035-00515</b>	<b>105-035-00524</b>	1 5/16-12 UN-2B SAE 16	1 1/16-12 UN-2B SAE 12		172	112	13.5	6.77	4.41	29.7
<b>NPH-61 SAE-B</b>	<b>105-035-00613</b>	<b>105-035-00622</b>				178	118	14	7.01	4.65	30.8
<b>NPH-73 SAE-B</b>	<b>105-035-00739</b>	<b>105-035-00748</b>				186	117	14.5	7.32	4.61	31.9
<b>NPH-82 SAE-B</b>	<b>105-035-00828</b>	<b>105-035-00837</b>	1 5/8-12 UN-2B SAE 20			191	122	15	7.52	4.80	33
			ISO 228	ISO 228							
<b>NPH-17 SAE-B</b>	105-935-00178	105-935-00187	G 1/2"	G 1/2"		150	101	12	5,91	3,98	26.4
<b>NPH-22 SAE-B</b>	105-935-00221	105-935-00230				153.5	103	12.3	6.04	4.11	27.1
<b>NPH-27 SAE-B</b>	105-935-00276	105-935-00285	G 3/4"			156	105.5	12.4	6.14	4.15	27.3
<b>NPH-34 SAE-B</b>	105-935-00347	105-935-00356				161	106.5	12.5	6.34	4.19	27.5
<b>NPH-43 SAE-B</b>	105-935-00436	105-935-00445				167	111.5	13.3	6.57	4.39	29.3
<b>NPH-51 SAE-B</b>	105-935-00516	105-935-00525	G 1"	G 3/4"		172	112	13.5	6.77	4.41	29.7
<b>NPH-61 SAE-B</b>	105-935-00614	105-935-00623				178	118	14	7.01	4.65	30.8
<b>NPH-73 SAE-B</b>	105-935-00730	105-935-00749				186	117	14.5	7.32	4.61	31.9
<b>NPH-82 SAE-B</b>	105-935-00829	105-935-00838	G 1-1/4"			191	122	15	7.52	4.80	33

## CARATTERISTICHE TECNICHE DI FUNZIONAMENTO

Tipo pompa	Cilindrata cm <sup>3</sup> /rev	Pressione			Velocità max. continua rpm	Velocità max. intermittente rpm	Velocità minima rpm
		P1 bar	P2 bar	P3 bar			
<b>NPH-17 SAE-B</b>	17.04	290	315	325	2500	3000	300
<b>NPH-22 SAE-B</b>	22.15						
<b>NPH-27 SAE-B</b>	26.18						
<b>NPH-34 SAE-B</b>	33.88	280	300	310	2200	2800	
<b>NPH-43 SAE-B</b>	43.12	270	290	300	2000	2500	
<b>NPH-51 SAE-B</b>	50.82	240	260	280			
<b>NPH-61 SAE-B</b>	60.06	220	240	250	1800	2000	
<b>NPH-73 SAE-B</b>	72.88	200	220	220	1600	1800	
<b>NPH-82 SAE-B</b>	81.08	190	200	200	1500		

## TECHNICAL FEATURES

Pump type	Displacement inch <sup>3</sup> /giro	Pressure			Max. continuous speed rpm	Max. intermittent speed rpm	Min. speed rpm
		P1 psi	P2 psi	P3 psi			
<b>NPH-17 SAE-B</b>	1.04	4205	4567,5	4712,5	2500	3000	300
<b>NPH-22 SAE-B</b>	1.35						
<b>NPH-27 SAE-B</b>	1.60						
<b>NPH-34 SAE-B</b>	2.07	4060	4350	4495	2200	2800	
<b>NPH-43 SAE-B</b>	2.63	3915	4205	4350	2000	2500	
<b>NPH-51 SAE-B</b>	3.06	3480	3770	4060			
<b>NPH-61 SAE-B</b>	3.66	3190	3480	3625	1800	2000	
<b>NPH-73 SAE-B</b>	4.45	2900	3190	3190	1600	1800	
<b>NPH-82 SAE-B</b>	4.95	2755	2900	2900	1500		

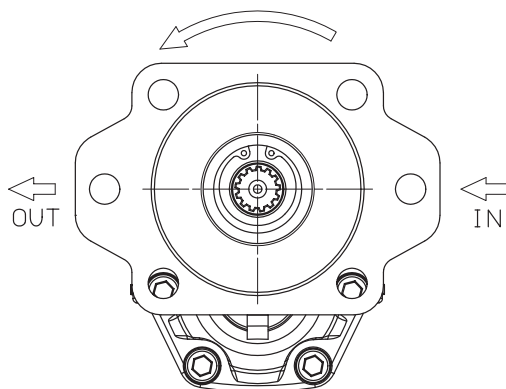
P1=Pressione max. continua  
P2=Pressione max. intermittente  
P3=Pressione max. di punta

Max. continuous pressure  
Max. Intermittent pressure  
Max. peak pressure

(100%)  
(20 sec.max.)  
(6 sec.max.)

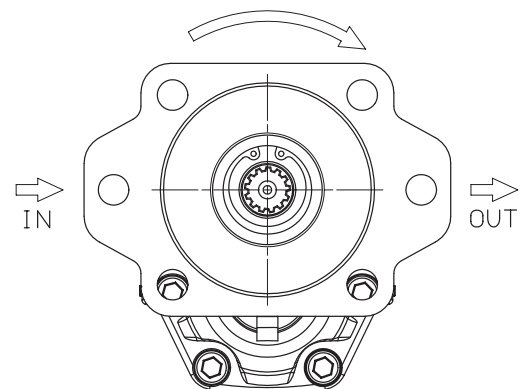
## SENSO DI ROTAZIONE POMPA / DIRECTION OF ROTATION

**Rotazione antioraria, pompa sinistra**  
Anti-clockwise rotation, left pump



FRONT

**Rotazione oraria, pompa destra**  
Clockwise rotation, right pump



FRONT

**Kit guarnizioni 10590000508**  
**Gasket kit**

COMPANY WITH  
QUALITY SYSTEM  
CERTIFIED BY DNV GL  
= ISO 9001 =

pag.2

O.M.F.B. S.p.A. Hydraulic Components  
We reserve the right to make any changes without notice.  
Edition 2012.02 No reproduction, however partial, is permitted.  
Via Cave, 7/9 25050 Provaglio d'Iseo (Brescia) Italy Tel.: +39.030.9830611  
Fax: +39.030.9839207-208 Internet:www.omfb.it e-mail:info@omfb.it

**OMFB**  
HYDRAULIC COMPONENTS