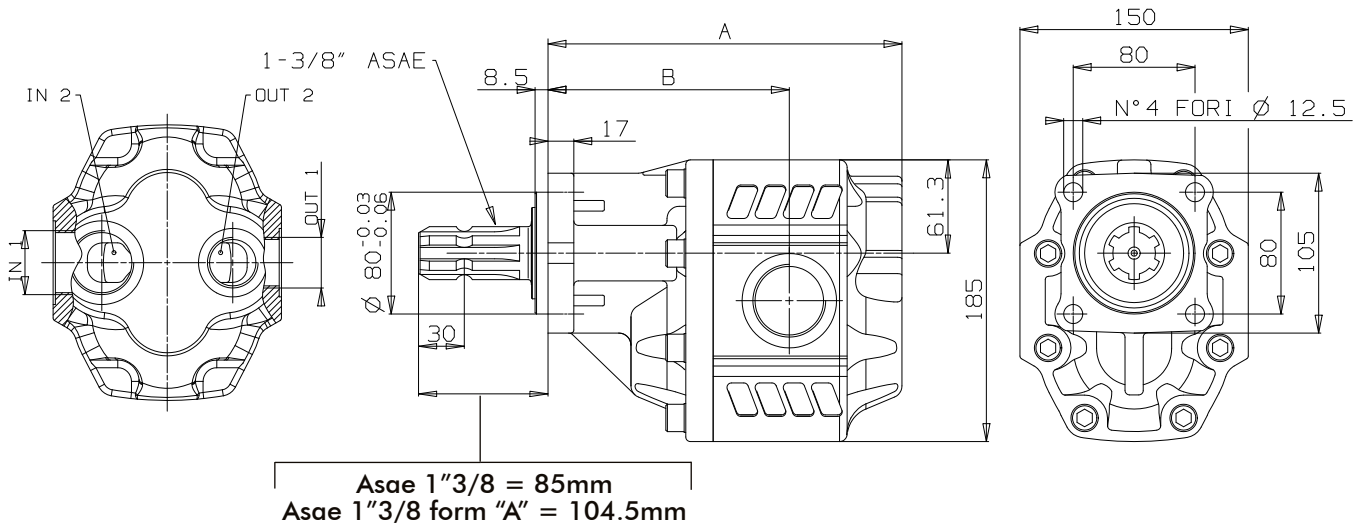


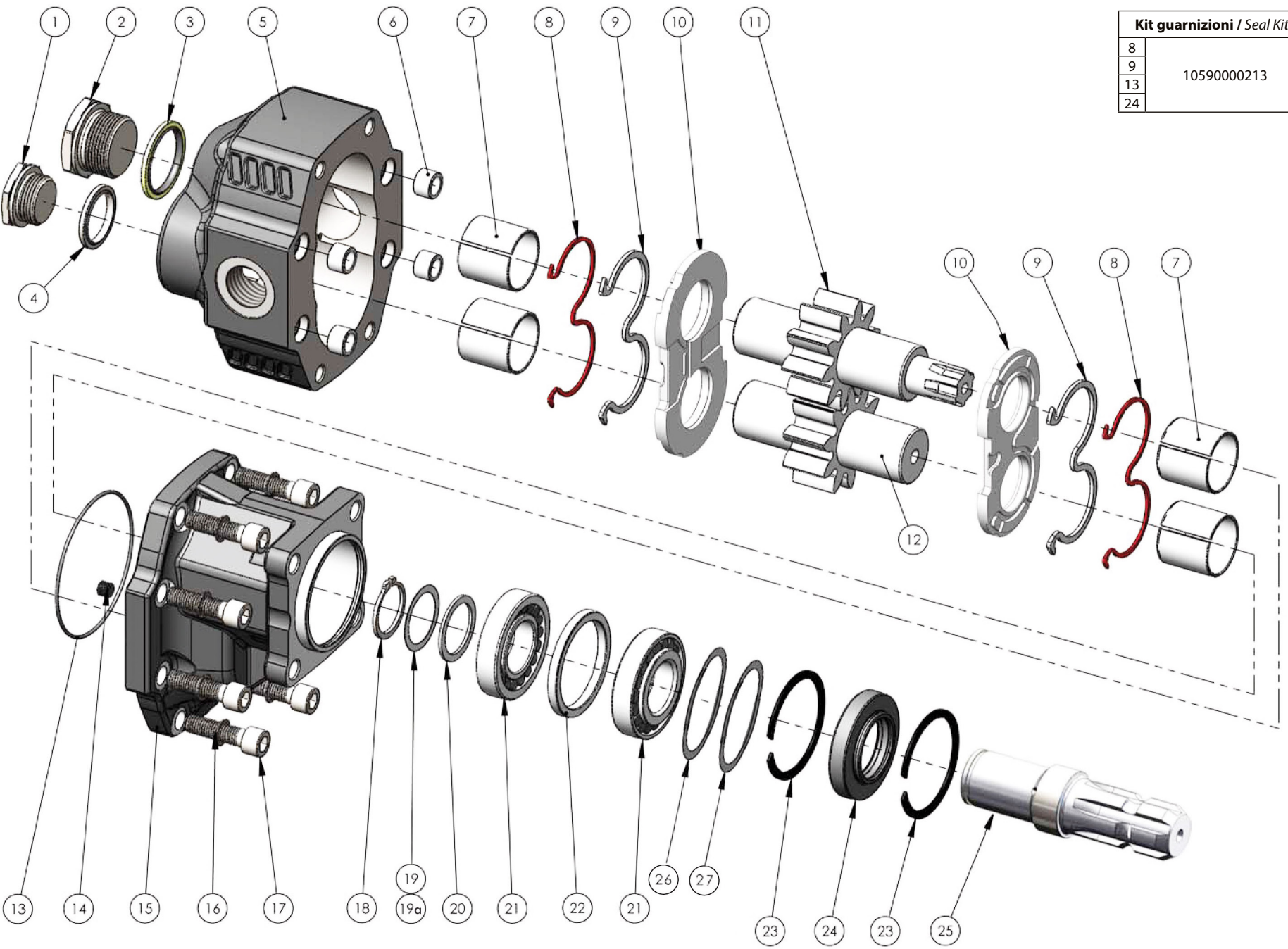
Fluido idraulico <i>Fluid</i>	Minerale o sintetico compatibile con guarnizioni: <i>Mineral or synthetic compatible with the following seals:</i> NBR, FKM, FPM, Nylon				
Viscosità cinematica consigliata <i>Kinematic viscosity suggested</i>	T media ambiente (°C) <i>Average ambient temp. (°C)</i>	< -10	-10÷10	10÷35	> 35
	VG (cSt = mm <sup>2</sup> /s)	22	32	46	68
Viscosità cinematica ottimale di esercizio <i>Optimale kinematic viscosity</i>			VG= 10 cSt ÷ 100 cSt		
Viscosità cinematica max consentita all'avviamento <i>Max kinematic viscosity suggested at the start-up</i>			VG= 750 cSt		
Indice di viscosità consigliato <i>Viscosity index suggested</i>		VI > 100	Temperatura di esercizio <i>Working temperature</i>		
			-15°C +100°C		
Grado di filtrazione <i>Oil filtering</i>			> 200 bar: 10 µm < 200 bar: 25 µm		
Pressione di aspirazione <i>Inlet pressure</i>			-0,3 ÷ 2 bar		
Senso di rotazione <i>Pump rotation</i>			Unidirezionale <i>Unidirectional</i>		

**Ingombro / Dimensions**

**Dati tecnici / Technical data**

Tipo pompa <i>Pump type</i>	Rotazione <i>Rotation</i>		IN 1-2	OUT 1	OUT 2	A	B	Peso <i>Weight</i>
	<i>Destra / Right</i>	<i>Sinistra / Left</i>						
<b>NPGH 63 - ASAE 1" 3/8</b>	10506200638	10506200647	G 1	G 3/4		201.5	136.5	19
<b>NPGH 63 - ASAE 1" 3/8 FORM "A"</b>	----	10506240649						
<b>NPGH 73 - ASAE 1" 3/8</b>	10506200736	10506200745						
<b>NPGH 73 - ASAE 1" 3/8 FORM "A"</b>	----	10506240747						
<b>NPGH 84 - ASAE 1" 3/8</b>	10506200843	10506200852	G 1 1/4			209.5	141	21.5
<b>NPGH 85 - ASAE 1" 3/8 FORM "A"</b>	----	10506240854						
<b>NPGH 100 - ASAE 1" 3/8</b>	10506201002	10506201011						
<b>NPGH 100 - ASAE 1" 3/8 FORM "A"</b>	----	10506241013						
<b>NPGH 116 - ASAE 1" 3/8</b>	10506201164	10506201173	G 1			221.5	150.5	22.5
<b>NPGH 116 - ASAE 1" 3/8 FORM "A"</b>	----	10506241175						
<b>NPGH 133 - ASAE 1" 3/8</b>	10506201333	10506201342						
<b>NPGH 133 - ASAE 1" 3/8 FORM "A"</b>	----	10506241344						
<b>NPGH 150 - ASAE 1" 3/8</b>	10506201502	10506201511	G 1 1/2			227.5	153.5	23.5
<b>NPGH 150 - ASAE 1" 3/8 FORM "A"</b>	----	10506241513						
<b>NPGH 150 - ASAE 1" 3/8</b>	10506201502	10506201511	G 1 1/2			232.5	158.5	24
<b>NPGH 150 - ASAE 1" 3/8 FORM "A"</b>	----	10506241513						

**Kit guarnizioni / Seal Kit**

8	
9	10590000213
13	
24	



N°	63	63 FORM "A"	73	73 FORM "A"	85	85 FORM "A"	100	100 FORM "A"	116	116 FORM "A"	133	133 FORM "A"	150	150 FORM "A"	Codice/Code	Descrizione / Description	Q	
1	.	.	.	.	.	.	.	.	.	.	.	.	.	.	54000200129	Tappo acciaio 3/4"	Steel plug 3/4"	1
	.	.	.	.	.	.	.	.	.	.	.	.	.	.	54000200138	Tappo acciaio 1"	Steel plug 1"	
2	.	.	.	.	.	.	.	.	.	.	.	.	.	.	54000200138	Tappo acciaio 1"	Steel plug 1"	1
	.	.	.	.	.	.	.	.	.	.	.	.	.	.	54000200165	Tappo acciaio 1"1/4	Steel plug 1"1/4	
3	.	.	.	.	.	.	.	.	.	.	.	.	.	.	54000200174	Tappo acciaio 1"1/2	Steel plug 1"1/2	1
	.	.	.	.	.	.	.	.	.	.	.	.	.	.	11600911002	Rondella acciaio-gomma 1"	Steel-rubber washer 1"	
	.	.	.	.	.	.	.	.	.	.	.	.	.	.	11600911137	Rondella acciaio-gomma 1"1/4	Steel-rubber washer 1"1/4	
4	.	.	.	.	.	.	.	.	.	.	.	.	.	.	11600911208	Rondella acciaio-gomma 1"1/2	Steel-rubber washer 1"1/2	1
	.	.	.	.	.	.	.	.	.	.	.	.	.	.	11600910343	Rondella acciaio-gomma 3/4"	Steel-rubber washer 3/4"	
	.	.	.	.	.	.	.	.	.	.	.	.	.	.	11600911002	Rondella acciaio-gomma 1"	Steel-rubber washer 1"	
5	.	.	.	.	.	.	.	.	.	.	.	.	.	.	51701000637	Corpo pompa	Gear housing	1
	.	.	.	.	.	.	.	.	.	.	.	.	.	.	51701000726			
	.	.	.	.	.	.	.	.	.	.	.	.	.	.	51701000842			
	.	.	.	.	.	.	.	.	.	.	.	.	.	.	51701001001			
	.	.	.	.	.	.	.	.	.	.	.	.	.	.	51701001163			
6	.	.	.	.	.	.	.	.	.	.	.	.	.	.	51701001323			
	.	.	.	.	.	.	.	.	.	.	.	.	.	.	51701001501			
6	.	.	.	.	.	.	.	.	.	.	.	.	.	.	50100300291	Spine forate centr. 18x12.5	Pins 18x12.5	4
7	.	.	.	.	.	.	.	.	.	.	.	.	.	.	53300400088	Boccole autolub. 38x42x38	Bushing 38x42x38	4
8	.	.	.	.	.	.	.	.	.	.	.	.	.	.	50600001195	Guarnizione antiestrusione	Back-up ring	2
9	.	.	.	.	.	.	.	.	.	.	.	.	.	.	50600001186	Guarnizione per rasamento	Thrust plate seal	2
10	.	.	.	.	.	.	.	.	.	.	.	.	.	.	51001000328	Rasamento ad occhiale	Thrust plate	2
11	.	.	.	.	.	.	.	.	.	.	.	.	.	.	52302100631	Albero dentato conduttore	Drive shaft	1
	.	.	.	.	.	.	.	.	.	.	.	.	.	.	52302100720			
	.	.	.	.	.	.	.	.	.	.	.	.	.	.	52302100846			
	.	.	.	.	.	.	.	.	.	.	.	.	.	.	52302101005			
	.	.	.	.	.	.	.	.	.	.	.	.	.	.	52302101167			
12	.	.	.	.	.	.	.	.	.	.	.	.	.	.	52302101327	Albero dentato condotto	Driven shaft	1
	.	.	.	.	.	.	.	.	.	.	.	.	.	.	52302101505			
	.	.	.	.	.	.	.	.	.	.	.	.	.	.	52302000632			
	.	.	.	.	.	.	.	.	.	.	.	.	.	.	52302000721			
	.	.	.	.	.	.	.	.	.	.	.	.	.	.	52302000847			
	.	.	.	.	.	.	.	.	.	.	.	.	.	.	52302001006			
13	.	.	.	.	.	.	.	.	.	.	.	.	.	.	52302001168	Guarnizione OR	O-Ring	1
	.	.	.	.	.	.	.	.	.	.	.	.	.	.	52302001328			
	.	.	.	.	.	.	.	.	.	.	.	.	.	.	52302001506			
	.	.	.	.	.	.	.	.	.	.	.	.	.	.	50600001337			
14	.	.	.	.	.	.	.	.	.	.	.	.	.	50401000063	Grano conico 1/8"	Plug 1/8"	1	
15	.	.	.	.	.	.	.	.	.	.	.	.	.	51800300161	Coperchio anteriore	Mounting cover	1	
16	.	.	.	.	.	.	.	.	.	.	.	.	.	50102000129	Rondella elastica	Washer	8	
17	.	.	.	.	.	.	.	.	.	.	.	.	.	50200500573	Vite TCE M12x45	Screw M12x45	8	
18	.	.	.	.	.	.	.	.	.	.	.	.	.	50100001355	Anello seeger	Seeger ring	1	
19	.	.	.	.	.	.	.	.	.	.	.	.	.	52900700226	Rondella speciale 45x35x0,2	Special washer 45x35x0,2	2	
19a	.	.	.	.	.	.	.	.	.	.	.	.	.	52900700217	Rondella speciale 45x35x0,1	Special washer 45x35x0,1	2	
20	.	.	.	.	.	.	.	.	.	.	.	.	.	52900700208	Rondella speciale 45x35x2	Special washer 45x35x2	1	
21	.	.	.	.	.	.	.	.	.	.	.	.	.	51000200211	Cuscinetto rulli conici 35x72x18,25	Tapered roller bearing 35x72x18,25	2	
22	.	.	.	.	.	.	.	.	.	.	.	.	.	53000100783	Distanziale 60x72x6,75	Spacer 60x72x6,75	1	
23	.	.	.	.	.	.	.	.	.	.	.	.	.	50100002729	Anello elastico	Circlip	2	
24	.	.	.	.	.	.	.	.	.	.	.	.	.	50600842723	Guarnizione paraolio	Oil seal	1	
25	.	.	.	.	.	.	.	.	.	.	.	.	.	11400500156	Manicotto 1" 3/8 ASAE	Coupling 1" 3/8 ASAE	1	
	.	.	.	.	.	.	.	.	.	.	.	.	.	11400500405	Manicotto 1" 3/8 ASAE FORM "A"	Coupling 1" 3/8 ASAE FORM "A"	1	
26	.	.	.	.	.	.	.	.	.	.	.	.	.	52900700995	Rondella 66x72x0.4	Washer 66x72x0.4	1	
27	.	.	.	.	.	.	.	.	.	.	.	.	.	52900700986	Rondella 66x72x0.2	Washer 66x72x0.2	1	

**CARATTERISTICHE TECNICHE DI FUNZIONAMENTO - TECHNICAL FEATURES**

Tipo pompa Pump type	Cilindrata Displacement  cm <sup>3</sup> /rev	Pressione Pressure			Velocità max. continua Max. continuous speed  rpm	Velocità max. intermittente Max. intermittent speed  rpm	Velocità min. Min. speed  rpm
		P1	P2	P3			
		bar	bar	bar			
<b>NPGH-63</b>	63.70	290	315	325	1800	2700	300
<b>NPGH-73</b>	74.87	280	300	315			
<b>NPGH-84</b>	85.96	260	280	290			
<b>NPGH-100</b>	102.60	250	270	280			
<b>NPGH-116</b>	119.24	240	260	270	1500	2500	
<b>NPGH-133</b>	135.88	220	250	260			
<b>NPGH-150</b>	149.75	180	210	220			

P1=Pressione max.continua

P2=Pressione max. intermittente

P3=Pressione max. di punta

Max. continuous pressure

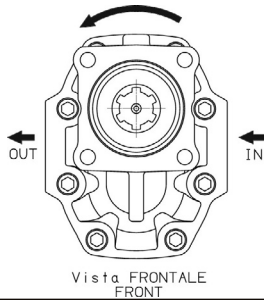
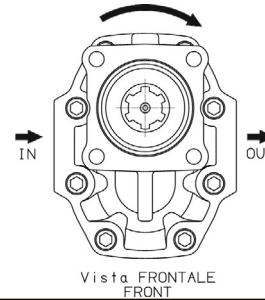
Max. Intermittent pressure

Max. peak pressure

(100%)

(20 sec.max.)

(6 sec.max)

**SENSO DI ROTAZIONE POMPA / DIRECTION OF ROTATION**
**Rotazione antioraria, pompa sinistra**  
*Anti-clockwise rotation, left pump*

**Rotazione oraria, pompa destra**  
*Clockwise rotation, right pump*

**LA POMPA È MUNITA DI PARAOLIO BIDIREZIONALE E DI CUSCINETTI A RULLI CONICI SULL'ALBERO DI USCITA**  
*THE PUMP IS COMPLETE WITH DOUBLE OIL-SEAL AND TAPERED ROLLER BEARING ON THE OUTPUT SHAFT*