

POMPE A PISTONI FISSAGGIO 3 FORI-UNI

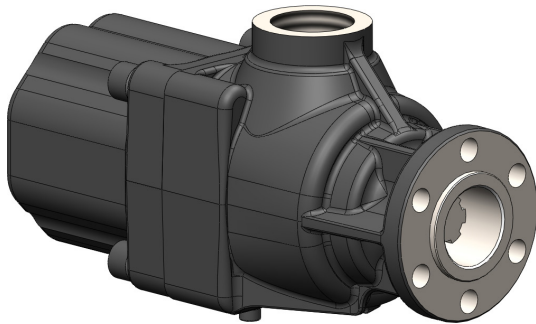
CODICE FAMIGLIA
FAMILY CODE

108005

3 HOLES-UNI HYDRAULIC PISTON PUMPS

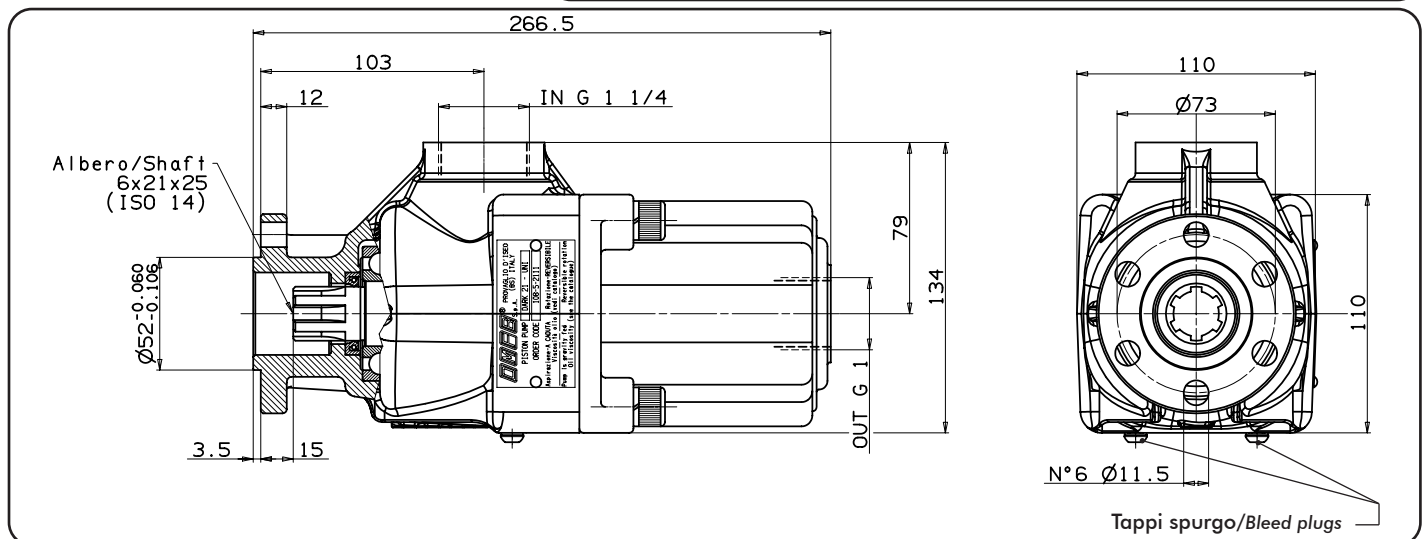
"DARK" UNI

99740060010



Fluido idraulico Fluid	Minerale o sintetico compatibile con guarnizioni: Mineral or synthetic compatible with the following seals: NBR, FKM, FPM, Nylon				
Viscosità cinematica consigliata Kinematic viscosity suggested	T media ambiente (°C) Average ambient temp. (°C)	< -10	-10 ÷ 10	10 ÷ 35	> 35
	VG (cSt = mm ² /s)	16	22	32	46
Viscosità cinematica ottimale di esercizio Optimale kinematic viscosity		VG= 10 cSt ÷ 100 cSt			
Viscosità cinematica max consentita all'avviamento Max kinematic viscosity suggested at the start-up		VG= 750 cSt			
Indice di viscosità consigliato Viscosity index suggested		VI > 100		Temperatura di esercizio Working temperature	
Grado di filtrazione Oil filtering		> 200 bar: 10 µm < 200 bar: 25 µm			
Pres. di aspirazione Inlet pressure		0,85 ÷ 2 bar assoluti/absolut			
Senso di rotazione Pump rotation		Bidirezionale Bidirectional			

Verificare che la pompa sia posizionata almeno 100 mm sotto il livello minimo del serbatoio olio. Prima di avviare la pompa effettuare spurgo aria.
Verify that pump is, at least, 100 mm under the minimum level of the tank. Before starting the pump bleed the air.



07/11/2019

99710800510 Rev. AG

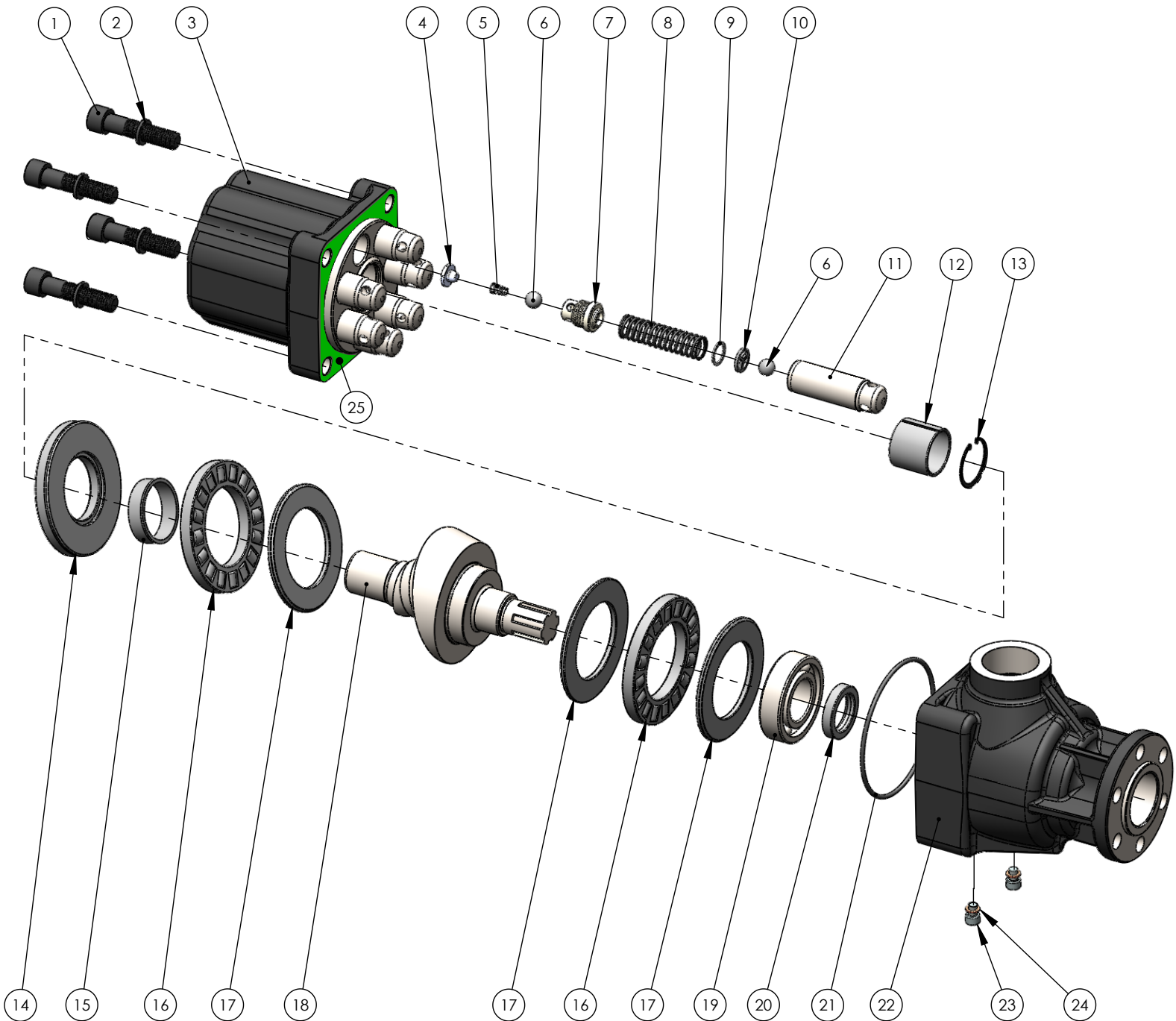
Tipo pompa Pump type	Codice Code	Cilindrata Displacement	Pressione Pressure		Velocità massima Max speed	Peso Weight
			Massima Max	Picco Peak		
		cm ³ /rev	bar	bar	rpm	kg
DARK-21	10800502111	20,25	350	400	1800	13,9
DARK-28	10800502817	27				13,8
DARK-35	10800503512	33,75				13,8
DARK-42	10800504217	40,5				13,7
DARK-48	10800504815	47,25				13,6
DARK-52	10800505216	51,97				13,5
DARK-55	10800505510	54	300	350	1500	13,5
DARK-60	10800505912	59,3				13,5

pag.3



O.M.F.B. S.p.A. Hydraulic Components
We reserve the right to make any changes without notice.
Edition 2016.06 No reproduction, however partial, is permitted.
Via Cave, 7/9 25050 Provaglio d'Iseo (Brescia) Italy Tel.: +39.030.9830611
Fax: +39.030.9839207-208 Internet:www.omfb.it e-mail:contatti@omfb.it

COMPANY WITH
QUALITY SYSTEM
CERTIFIED BY DNV GL
= IATF 16949 =



COMPANY WITH
QUALITY SYSTEM
CERTIFIED BY DNV GL
= IATF 16949 =

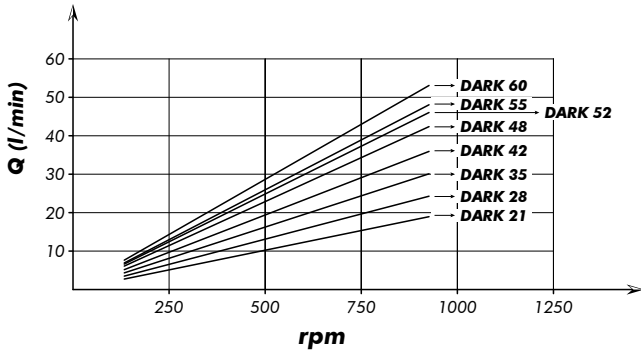
O.M.F.B. S.p.A. Hydraulic Components
We reserve the right to make any changes without notice.
Edition 2016.06 No reproduction, however partial, is permitted.
Via Cava, 7/9 25050 Provedolo d'Isco (Brescia) Italy Tel.: +39 030.9830611
Fax: +39 030.9839207-208 Internet: www.omfb.it e-mail:contatti@omfb.it

pag. 4

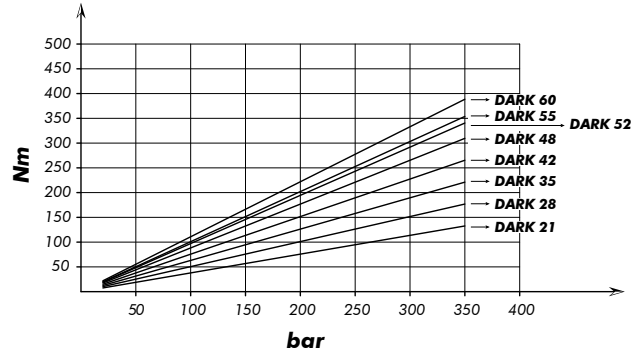


N°	21	28	35	42	48	52	55	60	Codice/P. Number	Descrizione / Description		Q.
1	•	•	•	•	•	•	•	•	50200500591	Vite TCE M12x55 UNI 5931	Socket head capscrew M12x55	4
2	•	•	•	•	•	•	•	•	50100800063	Rondella elastica	Washer	4
3	•								51700200011	Corpo posteriore	Rear body	1
		•							51700200039			
			•						51700200020			
				•					51700200100			
					•				51700200048			
						•			51700200182			
							•		51700200057			
								•	51700200146			
4	• x3	• x4	• x5	• x6	• x7	• x7	• x8	• x8	54200100135	Corpo guida molla	Spring guide body	
5	• x3	• x4	• x5	• x6	• x7	• x7	• x8	• x8	51200400153	Molla conica	Tapered spring	
6	• x6	• x8	• x10	• x12	• x14	• x14	• x16	• x16	51000900116	Sfera grano 7/16"	Ball 7/16"	
7	• x3	• x4	• x5	• x6	• x7	• x7	• x8	• x8	54000000149	Tappo valvola mandata	Plug delivery valve	
8	• x3	• x4	• x5	• x6	• x7	• x7	• x8	• x8	51200501946	Molla ritorno pistone	Back piston spring	
9	• x3	• x4	• x5	• x6	• x7	• x7	• x8	• x8	53000000159	Distanziale	Spacer	
10	• x3	• x4	• x5	• x6	• x7	• x7	• x8	• x8	55000100209	Part. arresto sfera pompanti	Spacer sprine guide	
11	• x3	• x4	• x5	• x6	• x7		• x8		53200400026	Pistone pompante ø21	Pump piston ø21	
						• x7		• x8	53200400035	Pistone pompante ø22	Pump piston ø22	
12	•	•	•	•	•	•	•	•	53300400051	Boccola 34x30x30	Bushing 34x30x30	1
13	•	•	•	•	•	•	•	•	50100000187	Anello elastico	Circlip	1
14	•	•	•	•	•	•	•	•	51000600379	Ralla 93x44x10.4	Bearing 93x44x10.4	1
15	•	•	•	•	•	•	•	•	53300400159	Boccola 40x44x12	Bushing 40x44x12	1
16	•	•	•	•	•	•	•	•	51000655909	Gabbia assiale rulli 92x55x11	Axial roller cage 92x55x11	2
17	•	•	•	•	•	•	•	•	51000600431	Ralla 88x55x4	Bearing 88x55x4	3
18	•	•	•	•	•	•	•	•	52200500124	Albero	Shaft	1
19	•	•	•	•	•	•	•	•	51000100212	Cuscinetto sfere 62x30x16	Ball bearing 62x30x16	1
20	•	•	•	•	•	•	•	•	50600700313	Paraolio	Oil seal	1
21	•	•	•	•	•	•	•	•	50600200630	Guarnizione OR	O-Ring	1
22	•	•	•	•	•	•	•	•	51700200324	Corpo anteriore	Front housing	1
23	•	•	•	•	•	•	•	•	50200001120	Vite TCE M6x8	Socket head capscrew M6x8	2
24	•	•	•	•	•	•	•	•	11600901022	Rondella rame 10x6x1	Washer	2
25	•	•	•	•	•	•	•	•	50700000434	Guarnizione	Gasket	1

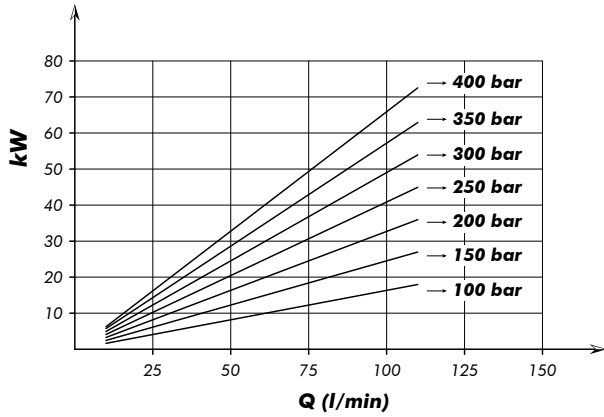
PORTATA
FLOW



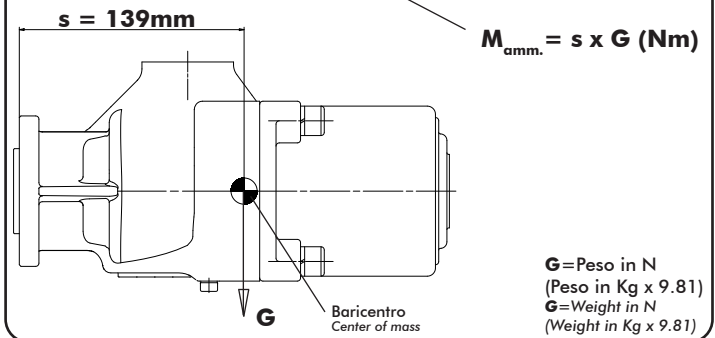
COPPIA ASSORBITA
DRIVE TORQUE



POTENZA ASSORBITA
POWER INPUT



MOMENTO PESO / MASS MOMENT



La quota "s" può essere considerata unica per tutte le cilindrata.
"s" dimension can be considered valid for all pump displacement.

Kit guarnizioni
Seal Kit

10890300018

99740060010

07/11/2019

99710800510 Rev: AG