

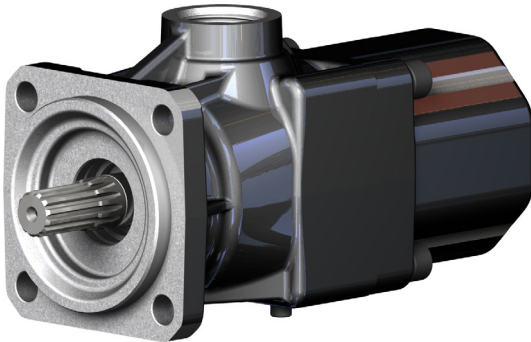
# POMPE A PISTONI ASSIALI AXIAL HYDRAULIC PISTON PUMPS

CODICE FAMIGLIA  
FAMILY CODE

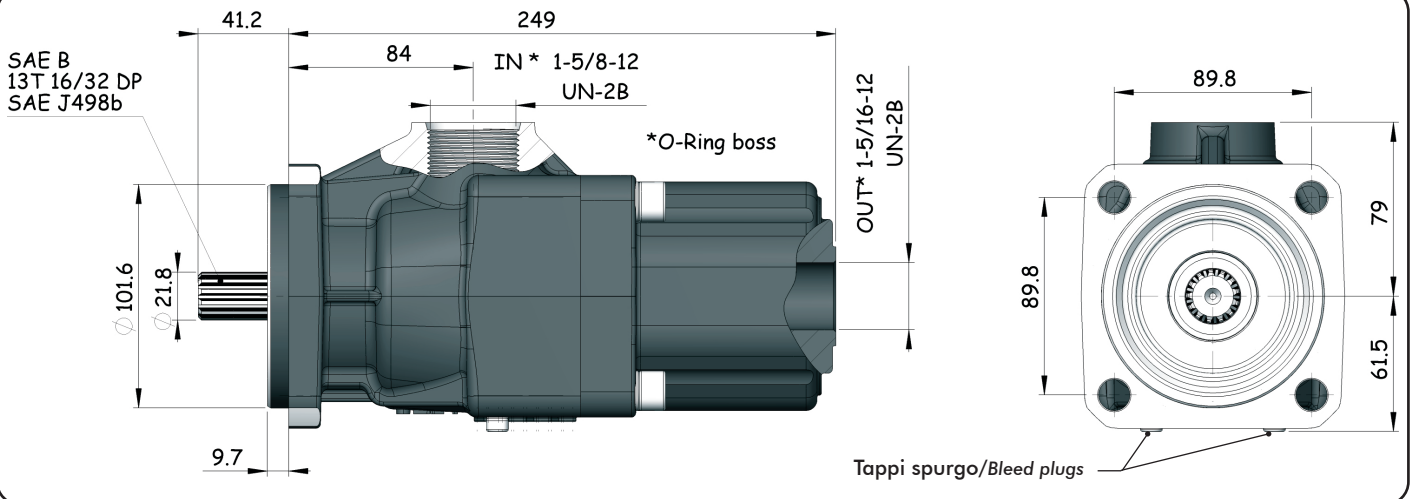
# 108007

## "DARK" SAE-B

99740060010



Fluido idraulico Fluid	Minerale o sintetico compatibile con guarnizioni: Mineral or synthetic compatible with the following seals: NBR, FKM, FPM, Nylon				
Viscosità cinematica consigliata Kinematic viscosity suggested	T media ambiente (°C) Average ambient temp. (°C)	< -10	-10 ÷ 10	10 ÷ 35	> 35
	VG (cSt = mm <sup>2</sup> /s)	16	22	32	46
Viscosità cinematica ottimale di esercizio Optimale kinematic viscosity		VG= 10 cSt ÷ 100 cSt			
Viscosità cinematica max consentita all'avviamento Max kinematic viscosity suggested at the start-up		VG= 750 cSt			
Indice di viscosità consigliato Viscosity index suggested		VI > 100		Temperatura di esercizio Working temperature	
				-15°C ÷ 100°C	
Grado di filtrazione Oil filtering		> 200 bar: 10 µm < 200 bar: 25 µm			
Pres. di aspirazione Inlet pressure		0,85 ÷ 2 bar assoluti/absolut			
Senso di rotazione Pump rotation		Bidirezionale Bidirectional			
Verificare che la pompa sia posizionata almeno 100 mm sotto il livello minimo del serbatoio olio. Prima di avviare la pompa effettuare spurgo aria. Verify that pump is, at least, 100 mm under the minimum level of the tank. Before starting the pump bleed the air.					



19/03/2013

99710800701 Rev. AC

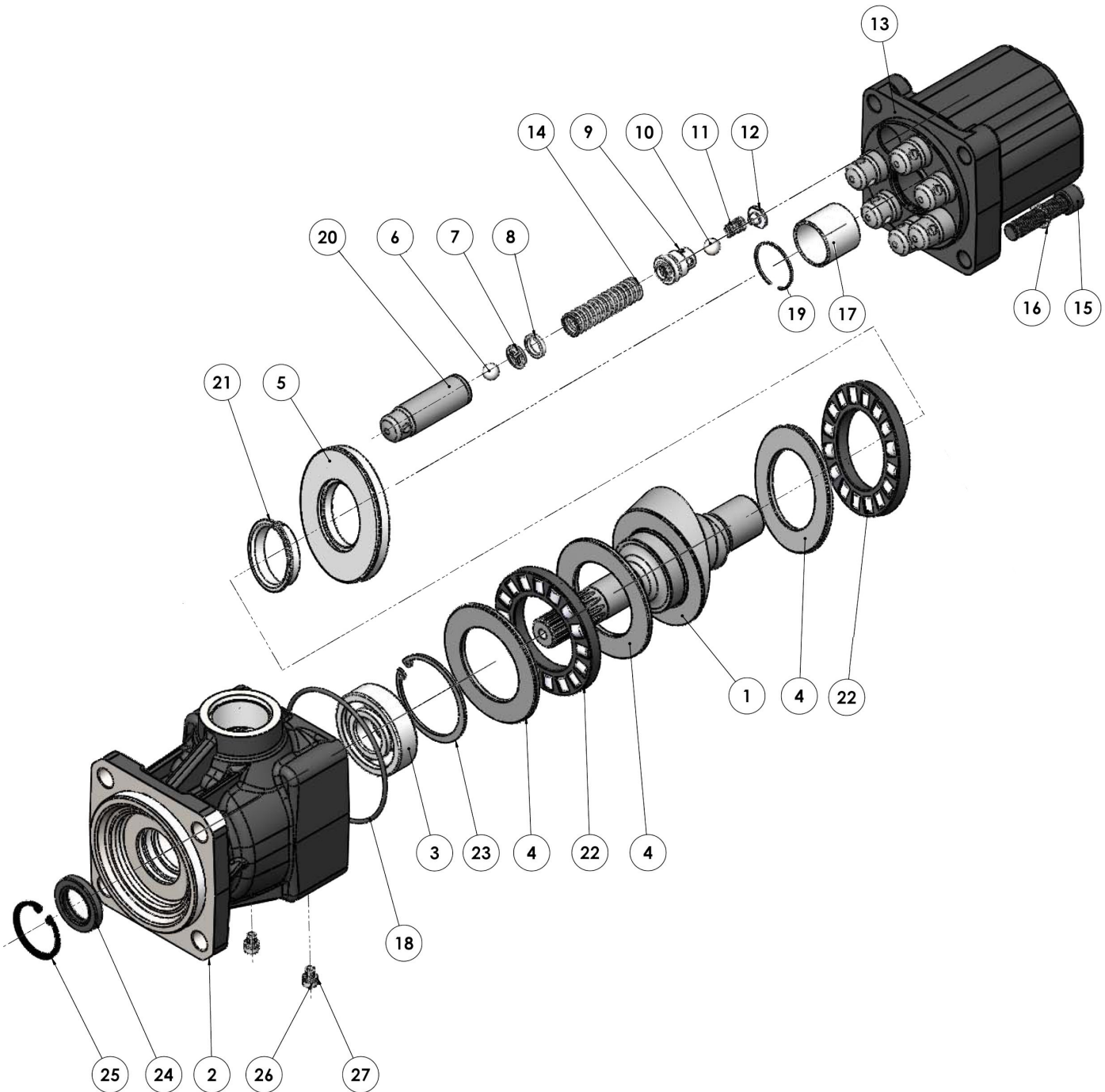
Tipo pompa Pump type	Codice Code	Cilindrata Displacement cm <sup>3</sup> /rev	Pressione Pressure		Velocità max Max speed rpm	Peso Weight kg
			Massima Max bar	Picco Peak bar		
<b>DARK SAE-B 21</b>	10800700219	20,25	350		1800	15,4
<b>DARK SAE-B 28</b>	10800700282	27				15,2
<b>DARK SAE-B 35</b>	10800700353	33,75				15,2
<b>DARK SAE-B 42</b>	10800700424	40,5				15,2
<b>DARK SAE-B 48</b>	10800700488	47,25	340		1500	15
<b>DARK SAE-B 52</b>	10800700522	51,97	310	15		
<b>DARK SAE-B 55</b>	10800700559	54	300		1500	15,1
<b>DARK SAE-B 60</b>	10800700602	59,3	270	14,9		

pag.13



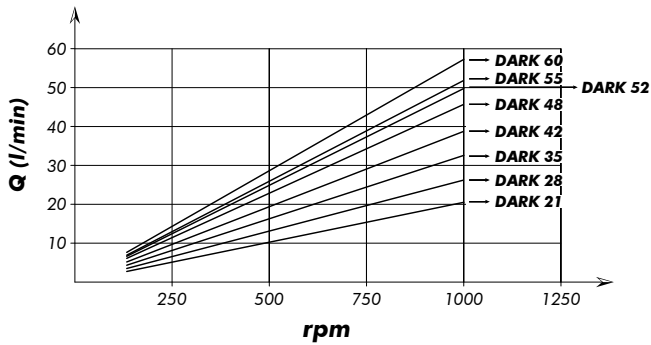
O.M.F.B. S.p.A. Hydraulic Components  
We reserve the right to make any changes without notice.  
Edition 2016.06 No reproduction, however partial, is permitted.  
Via Cave, 7/9 25050 Provaglio d'Iseo (Brescia) Italy Tel.: +39.030.9830611  
Fax: +39.030.9839207-208 Internet:www.omfb.it e-mail:contatti@omfb.it

COMPANY WITH  
QUALITY SYSTEM  
CERTIFIED BY DNV GL  
= IATF 16949 =

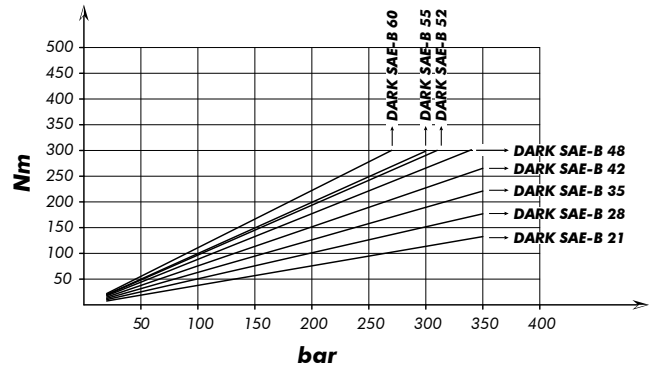


N° N°	21	28	35	42	48	52	55	60	Codice P. Number	Descrizione Description	Q.tà Q.ty	
1	•	•	•	•	•	•	•	•	52200500188	Albero	Shaft	1
2	•	•	•	•	•	•	•	•	51700200404	Corpo anteriore	Front housing	1
3	•	•	•	•	•	•	•	•	51000125624	Cuscinetto a sfere 25x62x17 CL.A	Ball bearing 25x62x17 CL.A	1
4	•	•	•	•	•	•	•	•	51000600431	Ralla 88x55x4	Bearing 88x55x4	3
5	•	•	•	•	•	•	•	•	51000600379	Ralla 93x44x10.4	Bearing 93x44x10.4	1
6	• x3	• x4	• x5	• x6	• x7	• x7	• x8	• x8	51000900116	Sfera grano AAA 7/16" (11.11)	Ball AAA 7/16" (11.11)	
7	• x3	• x4	• x5	• x6	• x7	• x7	• x8	• x8	55000100209	Part. arresto sfera pompanti	Spacer sprine guide	
8	• x3	• x4	• x5	• x6	• x7	• x7	• x8	• x8	53000000159	Distanziale	Spacer	
9	• x3	• x4	• x5	• x6	• x7	• x7	• x8	• x8	54000000149	Tappo valvola mandata	Plug delivery valve	
10	• x3	• x4	• x5	• x6	• x7	• x7	• x8	• x8	51000900116	Sfera grano AAA 7/16" (11.11)	Ball AAA 7/16" (11.11)	
11	• x3	• x4	• x5	• x6	• x7	• x7	• x8	• x8	51200400153	Molla conica	Tapered spring	
12	• x3	• x4	• x5	• x6	• x7	• x7	• x8	• x8	54200100135	Corpo guida molla	Spring guide body	
13	•								51700210215	Corpo posteriore	Rear body	1
		•							51700210288			
			•						51700210359			
				•					51700210420			
					•				51700210484			
						•			51700210528			
							•		51700210555			
							•	51700210608				
14	• x3	• x4	• x5	• x6	• x7	• x7	• x8	• x8	51200500581	Molla ritorno pistone	Back piston spring	
15	•	•	•	•	•	•	•	•	50200500591	Vite TCE M12x55 UNI 5931	Socket head capscrew	4
16	•	•	•	•	•	•	•	•	50100800063	Rondella elastica	Washer	4
17	•	•	•	•	•	•	•	•	53300400051	Boccola 34x30x30	Bushing 34x30x30	1
18	•	•	•	•	•	•	•	•	50600200630	Guarnizione OR	O-Ring	1
19	•	•	•	•	•	•	•	•	50100000187	Anello elastico E-SB 34	Circlip E-SB 34	1
20	• x3	• x4	• x5	• x6	• x7		• x8		53200400026	Pistone pompante ø21	Pump piston ø21	
						• x7		• x8	53200400035	Pistone pompante ø22	Pump piston ø22	
21	•	•	•	•	•	•	•	•	53300400159	Boccola 40x44x12	Bushing 40x44x12	1
22	•	•	•	•	•	•	•	•	51000655909	Gabbia assiale rulli 92x55x11	Axial roller cage 92x55x11	2
23	•	•	•	•	•	•	•	•	50100100588	Anello elastico Ø62l	Circlip Ø62l	1
24	•	•	•	•	•	•	•	•	50602425401	Guarnizione paraolio GAP 25x40x7	Gasket GAP 25x40x7	1
25	•	•	•	•	•	•	•	•	50100100373	Anello elastico Ø40l	Circlip Ø40l	1
26	•	•	•	•	•	•	•	•	50200001120	Vite TBCE M6x8	Socket head capscrew	2
27	•	•	•	•	•	•	•	•	11600900023	Rondella alluminio 10x6x1	Aluminium washer 10x6x1	2

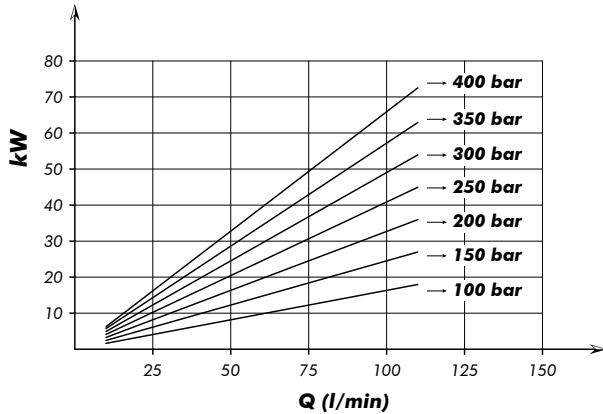
**PORTATA**  
FLOW



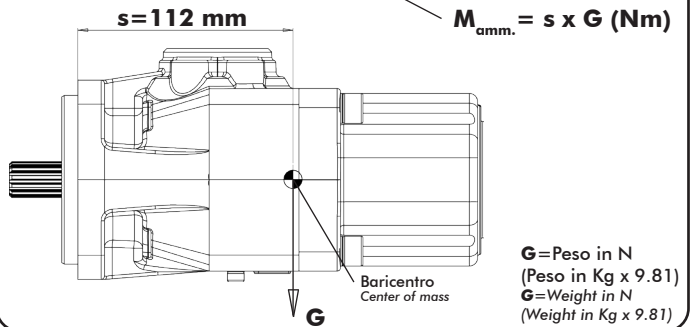
**COPPIA ASSORBITA**  
DRIVE TORQUE



**POTENZA ASSORBITA**  
POWER INPUT



**MOMENTO PESO / MASS MOMENT**



La quota "s" può essere considerata unica per tutte le cilindrate.  
"s" dimension can be considered valid for all pump displacement.

**Kit guarnizioni**  
Seal Kit

**10890300054**

99740060010

19/03/2013

99710800701 Rev: AC