

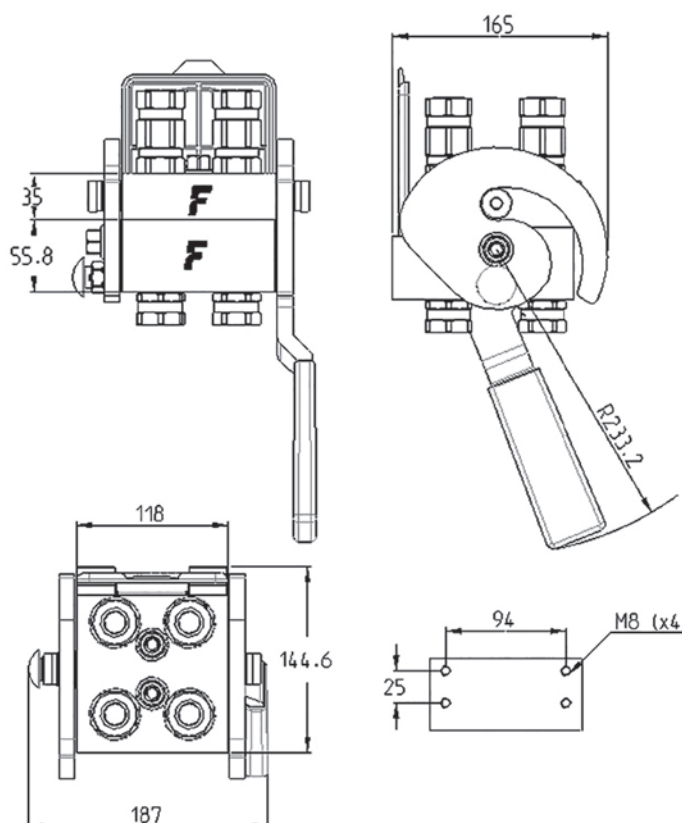
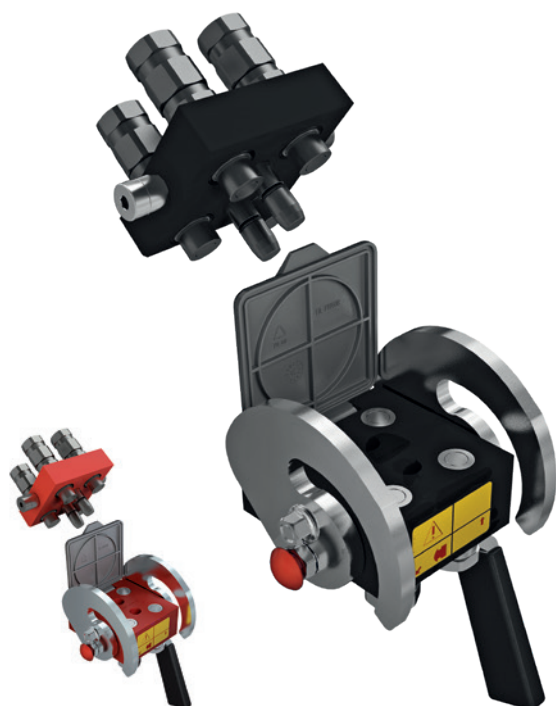
# MF PH408S



## MultiFaster, high pressure version, 4 lines size 08.

New multi-connection system specifically designed to withstand high pressure applications (42 MPa). Equipped with 4 lines size 08. Black cataphoresis plates with Zn-Ni plated carbon steel handle and cams or red paint plates with stainless steel handle and cams.

## Applications



## Technical Specifications

dash	Size mm	inch	Working Pressure (MPa)	Flow Rate (l/min)	Spillage (ml)	Burst pressure (MPa)		
						Male	Female	Male + Female
08	12.5	1/2"	46	60	0.01	138	138	138

Material	<b>Aluminium; Stainless Steel</b>
Seals	<b>NBR; PUR</b>
Working temperatures	<b>- 25 °C to + 100 °C</b>
Surface treatment	<b>MATE 1000 (ZnNi); Paint</b>

Valve Type	<b>Flat</b>
Connection	<b>Lever</b>
Disconnection	<b>Lever</b>
Connection Under Pressure	<b>Allowed Residual</b>



# PH408S

Size					Thread Type					FIXED
dash	mm	inch	Housing	Number of Couplings	Thread Type	Standard	Thread	Electrical Connector N	Connector Type	Part Number
08	12.5	1/2"	4	4	F BSPP	ISO 1179-1	BSPP 1/2" FEMALE			PH408S-4-12G F C
08	12.5	1/2"	4	4	F BSPP	ISO 1179-1	BSPP 1/2" FEMALE			PH408-4-12G F C*

Size					Thread Type					MOBILE
dash	mm	inch	Housing	Number of Couplings	Thread Type	Standard	Thread	Electrical Connector N	Connector Type	Part Number
08	12.5	1/2"	4	4	F BSPP	ISO 1179-1	BSPP 1/2" FEMALE			3PH408S-4-12G M C
08	12.5	1/2"	4	4	F BSPP	ISO 1179-1	BSPP 1/2" FEMALE			3PH408-4-12G MC*

\*Red paint plates with stainless steel handle and cams version.

## Spare Parts & Accessories

### PH408

Female Half				Male Half					
Plates	Lever	Dust cover	Safety Lock	Plates	Seals male	Screws	Plugs	Guiding pins	Docking
KIT PH408 F L		KIT TA PH408	KIT SP5 7	KIT PH408 M	SK MF 12	KIT VPH	KIT TSP 38 M	KIT GPH	

### PH408S

Female Half				Male Half					
Plates	Lever	Dust cover	Safety Lock	Plates	Seals male	Screws	Plugs	Guiding pins	Docking
		KIT TA PH408				KIT VPH			

