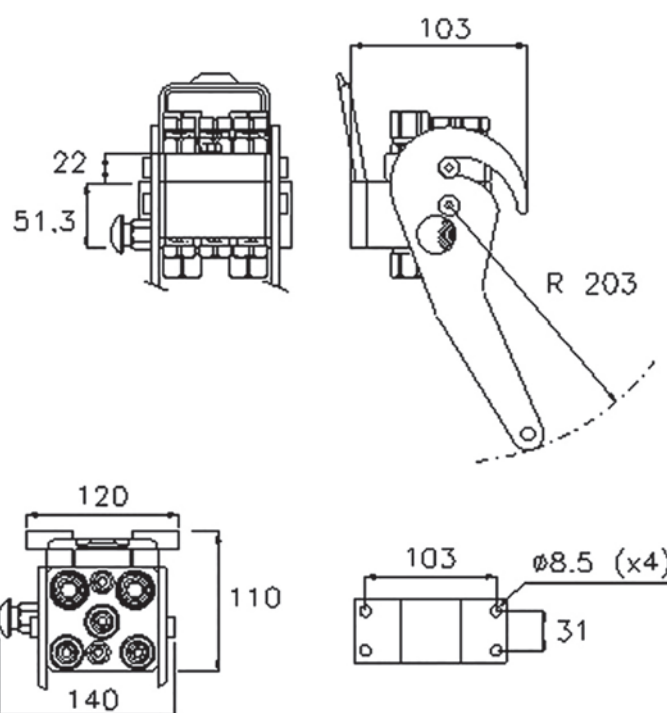




MF P5065

MultiFaster 5 lines, 2 lines 06, 3 lines 04.

Applications



Technical Specifications

dash	Size		Working Pressure (MPa)	Flow Rate (l/min)	Spillage (ml)	Burst pressure (MPa)		
	mm	inch				Male	Female	Male + Female
04	6.3	1/4"	25	20	0.008	100	100	100
06	10	3/8"	25	40	0.008	100	100	100

Material	Aluminium; Steel
Seals	NBR; PUR
Working temperatures	- 25 °C to + 100 °C
Surface treatment	MATE 500 (CrIII); Paint

Valve Type	Flat
Connection	Lever
Disconnection	Lever
Connection Under Pressure	Allowed Residual



P5065

Size					Thread Type			Electrical Connector		FIXED
dash	mm	inch	Housing	Number of Couplings	Thread Type	Standard	Thread	N	Type	Part Number
04	6.3	1/4"	5	3	F BSPP	ISO 1179-1	BSPP 1/4" FEMALE			2P5065-5-F F C
06	10	3/8"		2	F BSPP	ISO 1179-1	BSPP 1/2" FEMALE			
04	6.3	1/4"	5	2	O/ SAE	ISO 11926-1	3/4" - 16 UNF FEMALE ORB			2P5065-4-A F C
06	10	3/8"		2	O/ SAE	ISO 11926-1	9/16" - 18 UNF FEMALE ORB			
04	6.3	1/4"	5	1	O/ SAE	ISO 11926-1	9/16" - 18 UNF FEMALE ORB			2P5065-3-A1 F C
06	10	3/8"		2	O/ SAE	ISO 11926-1	3/4" - 16 UNF FEMALE ORB			
04	6.3	1/4"	5	2	O/ SAE	ISO 11926-1	9/16" - 18 UNF FEMALE ORB			2P5065-2-A F C
04	6.3	1/4"	5	2	F BSPP	ISO 1179-1	BSPP 1/4" FEMALE			2P5065-2-14G FC
06	10	3/8"	5	2	F BSPP	ISO 1179-1	BSPP 1/2" FEMALE			2P5065-2-12G FC
04	6.3	1/4"	5	3	O/ SAE	ISO 11926-1	9/16" - 18 UNF FEMALE ORB			2P5065-5-A F C
06	10	3/8"		2	O/ SAE	ISO 11926-1	3/4" - 16 UNF FEMALE ORB			
04	6.3	1/4"	5	3	O/ SAE	ISO 11926-1	9/16" - 18 UNF FEMALE ORB			2P5065-3-A F C

Size					Thread Type			Electrical Connector		MOBILE
dash	mm	inch	Housing	Number of Couplings	Thread Type	Standard	Thread	N	Type	Part Number
04	6.3	1/4"	5	3	F BSPP	ISO 1179-1	BSPP 1/4" FEMALE			3P5065-5-F M C
06	10	3/8"		2	F BSPP	ISO 1179-1	BSPP 3/8" FEMALE			
04	6.3	1/4"	5	3	O/ SAE	ISO 11926-1	9/16"-18 UNF FEMALE ORB			3P5065-5-A M C
06	10	3/8"		2	O/ SAE	ISO 11926-1	3/4" - 16 UNF FEMALE ORB			
04	6.3	1/4"	5	2	O/ SAE	ISO 11926-1	9/16" - 18 UNF FEMALE ORB			3P5065-4-A M C
06	10	3/8"		2	O/ SAE	ISO 11926-1	3/4" - 16 UNF FEMALE ORB			
04	6.3	1/4"	5	3	O/ SAE	ISO 11926-1	9/16"-18 UNF FEMALE ORB			3P5065-3-A M C
04	6.3	1/4"	5	2	O/ SAE	ISO 11926-1	9/16"-18 UNF FEMALE ORB			3P5065-2-38S MC

Spare Parts & Accessories

Female Half				Male Half					
Plates	Lever	Dust cover	Safety Lock	Plates	Seals male	Screws	Plugs	Guiding pins	Docking
KIT P5065 F L		KIT TA P5	KIT SP5 S	KIT P5065 M	SK MF 14	KIT VP4	KIT TSP 12 M	KIT GP4	S P5065
					SK MF 38				

