

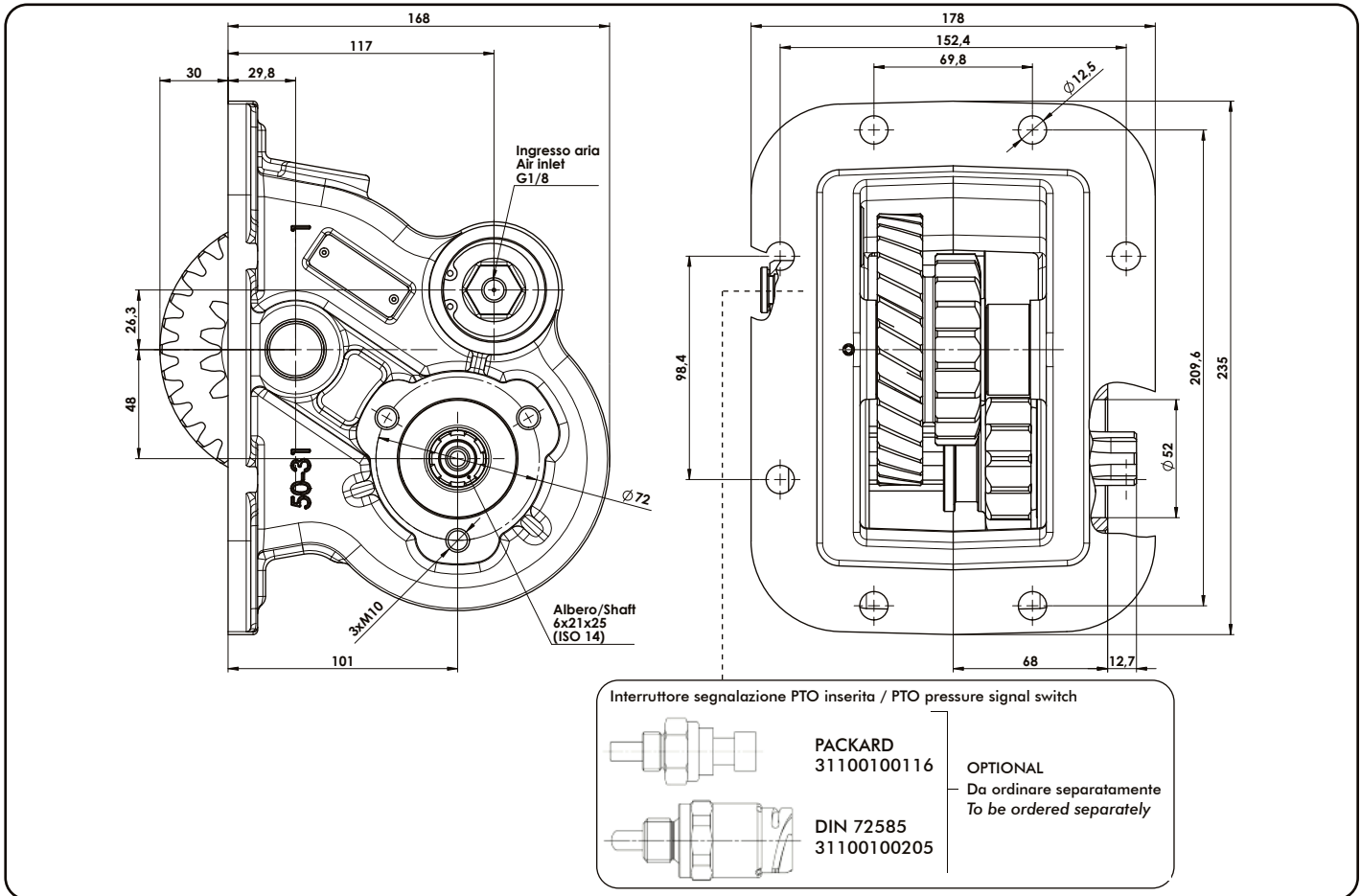
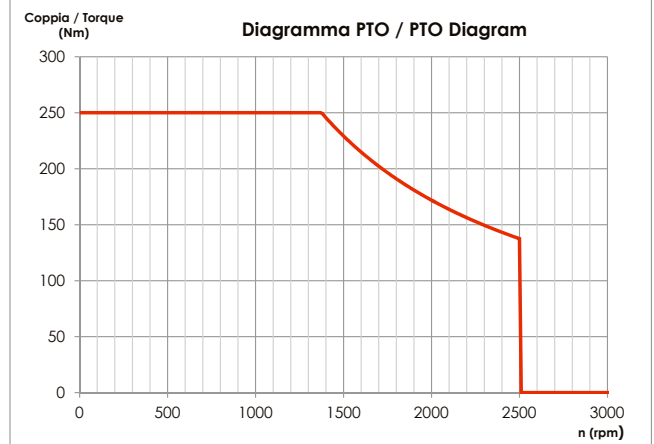
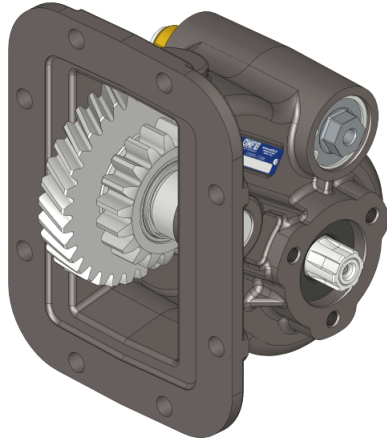
PRESA DI FORZA A COMANDO PNEUMATICO PNEUMATIC CLUTCH POWER TAKE-OFF

CODICE PTO
PTO CODE

05205600139

CAMBIO
GEARBOX

EATON



Tipo cambio Gearbox	Codice PTO PTO code	Versione Version	Giri pto a 1000 giri motore Pto ratio@1000 eng.rpm	Coppia massima Max torque	Lato montaggio Mounting side	Uscita Output	Rotazione Rotation	Kit di montaggio Mounting kit	Peso Weight
EATON EEO-PACCAR	05205600139	13	1424	250	Sx. Left	Post. Rear	Orario Cw	15400306023	12,5

Rapporto interno / Internal ratio: 1:0,79



pag.1

O.M.F.B. S.p.A. Hydraulic Components

We reserve the right to make any changes without notice.

Edition 2019.07 No reproduction, however partial, is permitted.

Via Cave, 7/9 25050 Provaglio d'Iseo (Brescia) Italy Tel.: +39.030.9830611
 Fax: +39.030.9839207-208 Internet:www.omfb.it e-mail:contatti@omfb.it

**COMPANY WITH
QUALITY SYSTEM
CERTIFIED BY DNV GL
= ISO 9001:2015 =**

09/12/2021

Rev: //

99725205613