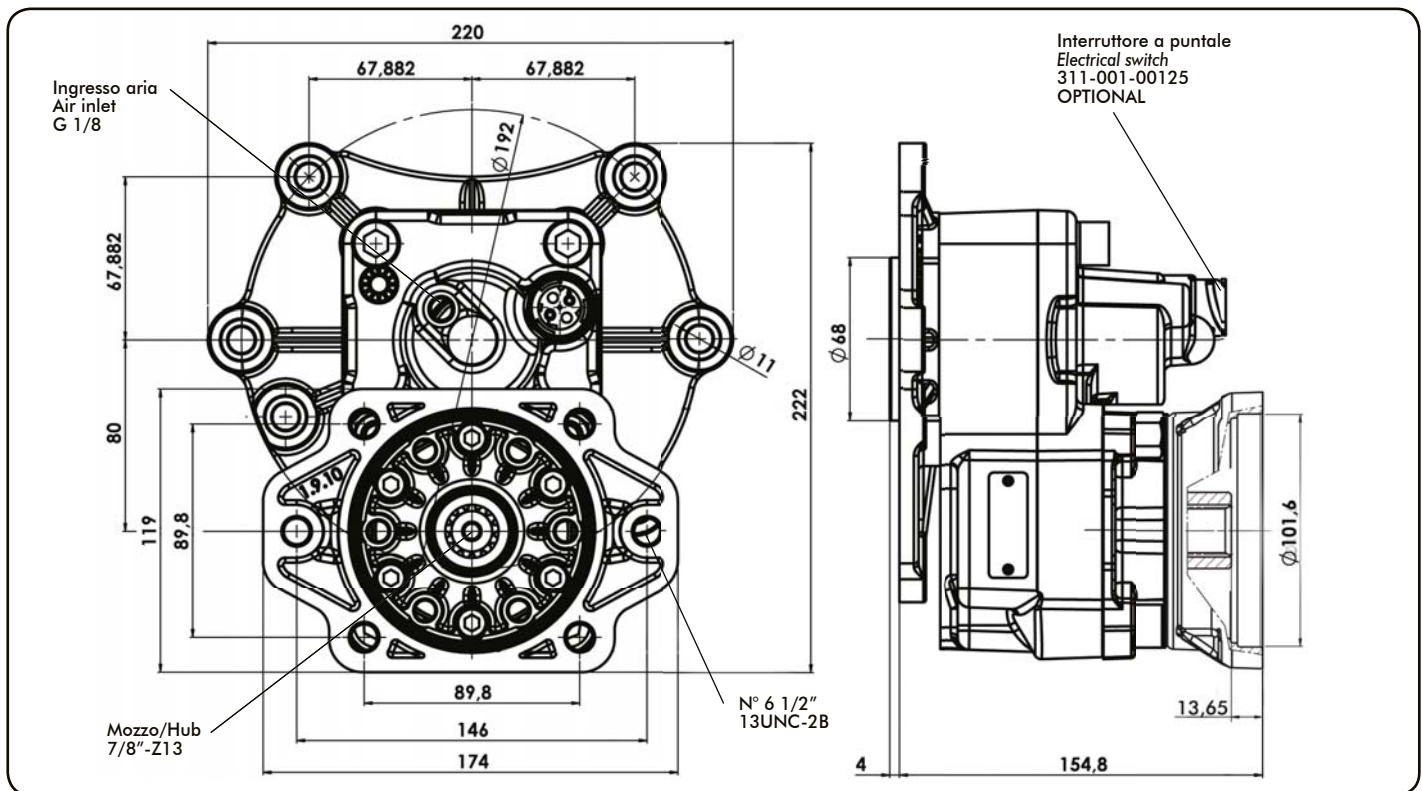
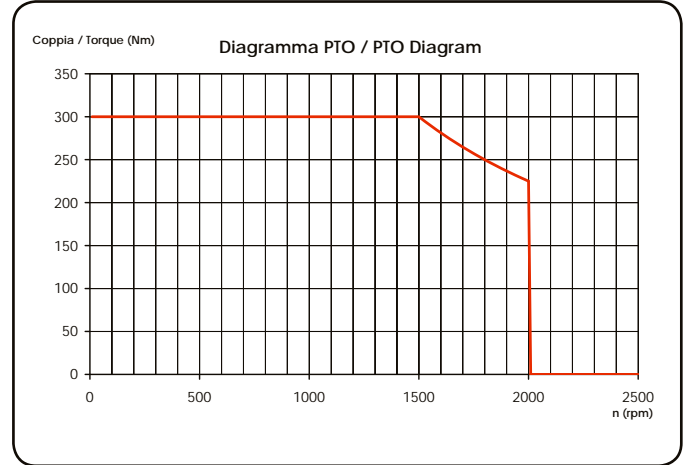
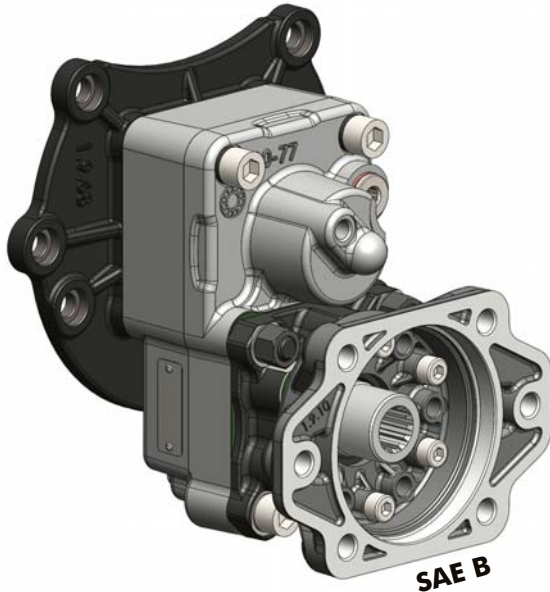


PRESA DI FORZA A COMANDO PNEUMATICO PNEUMATIC CLUTCH POWER TAKE-OFF

CODICE PTO
PTO CODE **016-077-00523**

CAMBIO
GEARBOX

ZF



Tipo cambio Gearbox	Codice PTO PTO code	Versione Version	Giri pto a 1000 giri motore Pto ratio@1000 eng.rpm	Coppia massima Max torque	Lato montaggio Mounting side	Uscita Output	Rotazione Rotation	Kit di montaggio Mounting kit	Peso Weight
Vedi indice See index	016-077-00523	52	Vedi indice See index rpm	300 Nm	Posteriore Rear	Posteriore Rear	Antiorario Acw	154-3-3455	9,4

Rapporto interno / Internal ratio = 1,1.35

pag.1



O.M.F.B. S.p.A. Hydraulic Components
We reserve the right to make any changes without notice.
Edition 2014..02 No reproduction, however partial, is permitted.
Via Cave, 7/9 25050 Provaglio d'Iseo (Brescia) Italy Tel.: +39.030.9830611
Fax: +39.030.9839207-208 Internet:www.omfb.it e-mail:info@omfb.it

**COMPANY WITH
QUALITY SYSTEM
CERTIFIED BY DNV GL
= ISO 9001 =**