

Dimensions w/o tol:

- Both machining ref.: $< 400 \pm 0.6$; $\geq 400 \pm 1$
- One or both rough ref.: ± 3

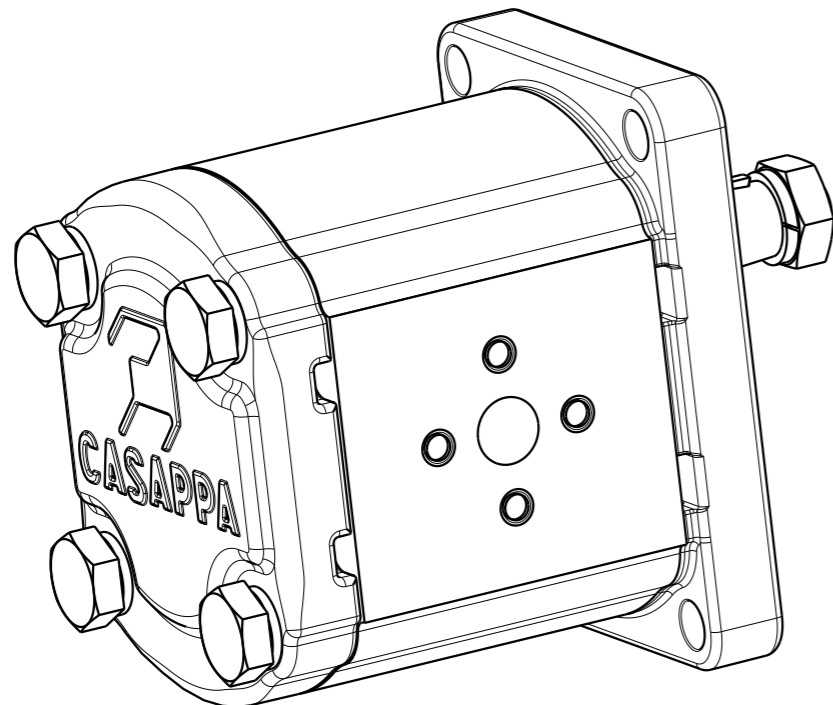
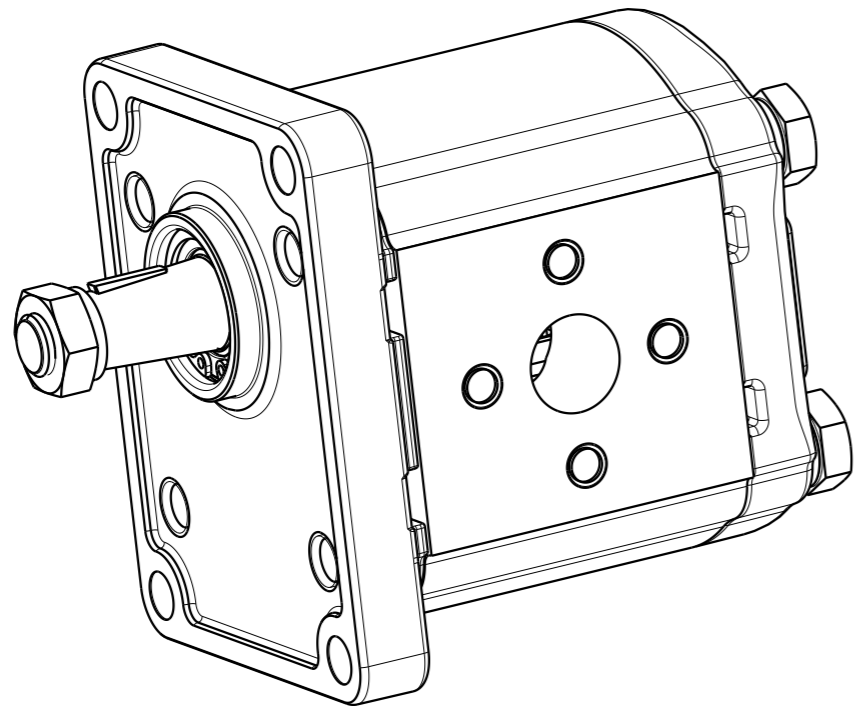
Dimensions are in mm.

Signature for approval _____

Date: _____

For operating condition outside those stated, please consult Casappa S.p.A. Technical sales department

Cap.Forn./Rules Suppl.	Trattamento Termico / Heat Treatment	Trattamento Superficiale / Surface Treatment	Prof.(mm) / Depth
-	-	-	-
Quote senza indicazione di tolleranza / Unless otherwise specified tolerances		Materiale / Material	Durezza / Hardness
GRADO DI PRECISIONE ACCURACY LEVEL		-	-
Disegnato/Drawn	Approvato/Approved	Mod.Tecn./ Release change	Progetto/Project
Date	23-05-2016	23-05-2016	Stato / Process
Firma	CozzolinoV	GuidettiM	File
Signature			02004647
Descrizione / Description			Scala/Scale
CASAPPA® FLUID POWER DESIGN The information hereon is the property of CASAPPA Spa. Without written permission, any copying, transmittal to others and any use except that for which it's loaned, is prohibited.			7:10
POMPA PLP20.16S0-82E2-LEB/EA-N-EL-FS PUMP PLP20.16S0-82E2-LEB/EA-N-EL-FS			Formato/Size
Codice / Code			A3
02004647			Ind. Mod./ Index Rev.
Sostituisce / It replaces			1
-			



PUMP DATA

Senso di rotazione (guardando l'albero conduttore) Direction of rotation (looking on drive shaft)		Sinistro (S) Counter Clockwise (S)	
Cilindrata - Displacement		16.845 [cm3/rev]	
Campo pressione di alimentazione per pompe Inlet pressure range for pump		0.7 - 3 [bar abs.]	
Pressione max continua - Max continuous pressure	P1	250 [bar]	
Pressione max intermittente - Max intermittent pressure	P2	280 [bar]	
Pressione max picco - Max peak pressure	P3	300 [bar]	
Velocità - Speed	min P1	500 [min ⁻¹]	
	max P1	3000 [min ⁻¹]	
Guarnizioni - Seals type		NBR	
Temperatura minima - Min temperature		-25 [°C]	
Temperatura massima - Max temperature	continuous	+ 80 [°C]	
	peak	+ 100 [°C]	
Campo di viscosità - Viscosity range	recommended	12 to 100 mm ² /s (cSt)	
	permitted	max 750 mm ² /s (cSt)	
FILTERING REQUIREMENT AND RECOMMENDED FLUID CONTAMINATION			
Pressione di lavoro [bar] - Working pressure [bar]	Δp < 140	140 < Δp < 210	Δp > 210
Contaminazione classe NAS 1638 - ISO 4406:1999 Contamination class NAS 1638 - ISO 4406:1999	NAS 10 - 21/19/16	NAS 9 - 20/18/15	NAS 8 - 19/17/14
Da ottenere con filtro βx (c) ≥ 200 secondo ISO 16889 Achieved with filter βx (c) ≥ 200 according to ISO 16889	25 μm	10 μm	10 μm
Codice del prototipo - Prototype code	-		
Codice cliente - Customer code	-		
Valvola di massima pressione - Relief valve	- [bar]		
Pressione di stand-by valvola LS - Stand-by pressure LS valve	- [bar]		
Peso - Weight	2.740 kg		
Vernice - Painting	-		
Trattamenti speciali - Special treatment	-		

Independently from the max rated pressure values indicated in the table, the max admissible torque of the output shaft and (when applicable) of connecting hub(s) must be respected. Consequently it could be necessary to limit the max working pressures accordingly.

Indipendentemente dai valori di massima pressione riportati in tabella, devono essere rispettate le coppie massime ammissibili su alberi e/o mozzi di trascinamento. Pertanto potrebbe risultare necessario limitare le pressioni massime di esercizio di conseguenza.

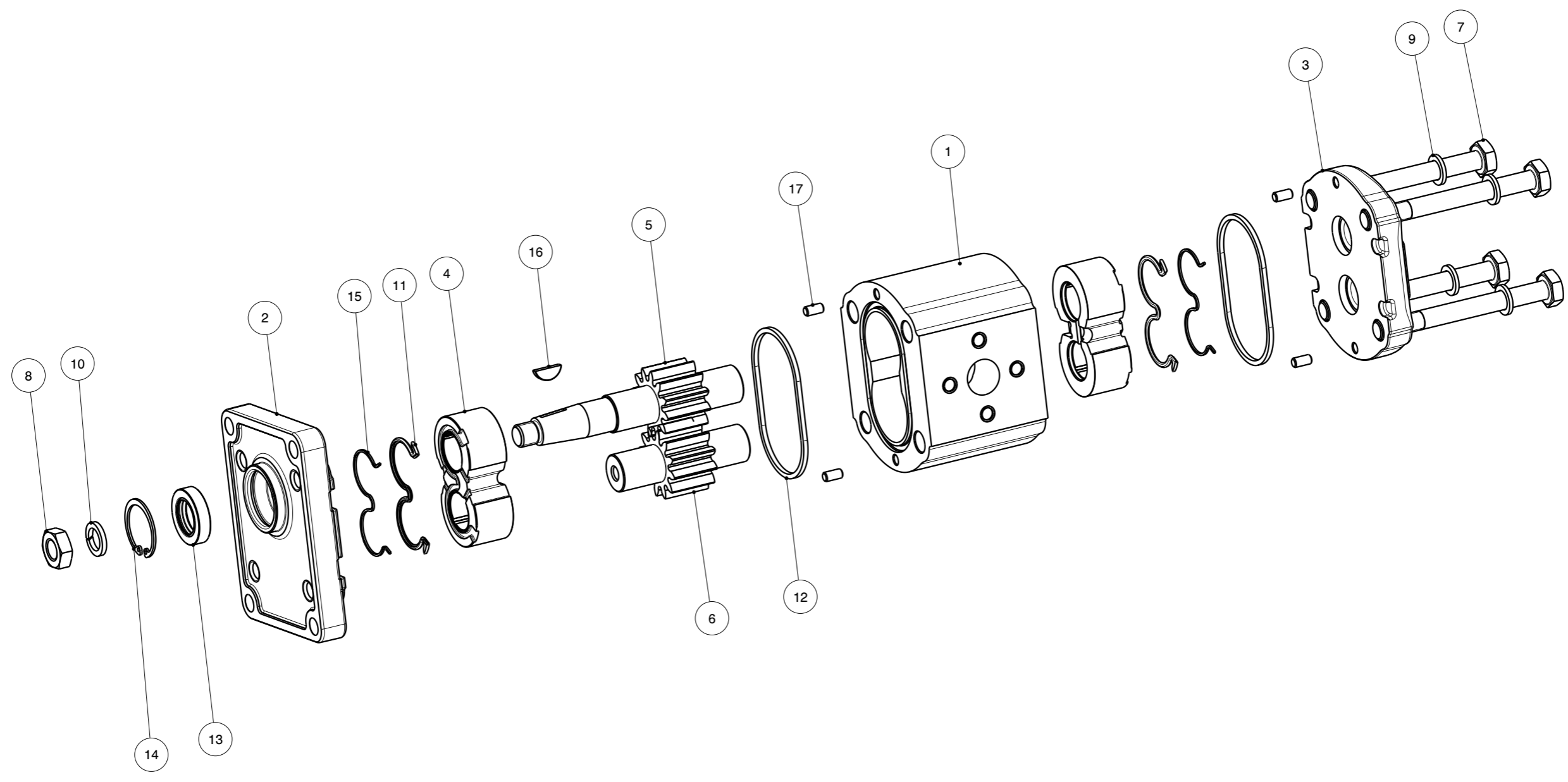
PAGE 2 OF 4


Cap.Forn./Rules Suppl.	Trattamento Termico / Heat Treatment	Trattamento Superficiale / Surface Treatment	Prof.(mm) / Depth
-	-	-	-
Quote senza indicazione di tolleranza / Unless otherwise specified tolerances		Materiale / Material	Durezza / Hardness
GRADO DI PRECISIONE ACCURACY LEVEL		-	-
Disegnato/Drawn	Approvato/Approved	Mod.Tecn./ Release change	Progetto/Project
23-05-2016	23-05-2016	10342	Stato / Process
Firma Signature	CozzolinoV	GuidettiM	File
			02004647
Descrizione / Description			Scala/Scale
POMPA PLP20.16S0-82E2-LEB/EA-N-EL-FS			7:10
PUMPA PLP20.16S0-82E2-LEB/EA-N-EL-FS			Formato/Size
Codice / Code			A3
02004647			Ind. Mod./ Index Rev.
Sostituisce / It replaces			1

For operating condition outside those stated, please consult Casappa S.p.A. Technical sales department




The information hereon is the property of CASAPPA Spa. Without written permission, any copying, transmittal to others and any use except that for which it's loaned, is prohibited.



Cap.Forn./Rules Suppl.	Trattamento Termico / Heat Treatment	Trattamento Superficiale / Surface Treatment	Prof.(mm) / Depth
-	-	-	-
Quote senza indicazione di tolleranza / Unless otherwise specified tolerances		Materiale / Material	Durezza / Hardness
GRADO DI PRECISIONE ACCURACY LEVEL		-	-
Disegnato/Drawn	Approvato/Approved	Mod.Tecn./ Release change	Progetto/Project
23-05-2016	23-05-2016	10342	Stato / Process
Firma Signature	CozzolinoV	GuidettiM	File
			02004647
Descrizione / Description			Scala/Scale
 CASAPPA® FLUID POWER DESIGN POMPA PLP20.16S0-82E2-LEB/EA-N-EL-FS PUMP PLP20.16S0-82E2-LEB/EA-N-EL-FS			Formato/Size
The information hereon is the property of CASAPPA Spa. Without written permission, any copying, trasmittal to others and any use except that for which it's loaned, is prohibited.			2:5
Codice / Code			Ind. Mod./ Index Rev.
02004647			A3
Sostituisce / It replaces			1
-			

Pos.	Codice Code	Kit	Q.tà Q.ty	Descrizione Description	Indice modifica Index revision
17	49270000		4	SPINA MM.5x10 UNI1707 H8 DOWEL PIN MM.5x10 UNI1707 H8	1
16	42520000		1	LINGUETTA 3.15X6.5 280 HB KEY 3.15X6.5	1
15	41387101		2	ANTIESTRUSORE PL-K20 S/D Z (SIC) (BZ) ANTIEXTRUSION PL-K20 S/D Z (SIC) (BZ)	6
14	40661000		1	ANELLO 30 UNI 7437-DIN 472 RING 30 UNI 7437-DIN 472	0
13	39700000		1	PARAOLIO BABSL 18X30X7 SHAFT SEAL BABSL 18X30X7	1
12	39666195		2	GUARNIZIONE PL 20 STANDARD SEZIONE QUADRATA STANDARD SEAL PL 20 SQUARE SECTION	1
11	39656101		2	GUARNIZIONE PL-K20 S/D (SIC) (BZ) SEAL PL-K20 S/D (SIC) (BZ)	2
10	37583803		1	ROSETTA 12 DIN 7980 GEOMET 321/A WASHER 12 DIN 7980 GEOMET321/A	0
9	37583716		4	ROSETTA 10 (10,5x16x2) HV300 GEOMET 321/A WASHER 10 (10,5x16x2) HV300 GEOMET 321/A	0
8	36860000		1	DADO M 12X1,5 UNI 5589-A-6S-GEOMET 321/A PLUS M NUT M 12X1,5 UNI 5589-A-6S-GEOMET 321/A PLUS M	0
7	36593012		4	VITE TE M 10X100 5737 10.9 GEOMET 321/A PLUS M SCREW TE M 10X100 5737 10.9 GEOMET 321/A PLUS M	0
6	27750050		1	INGR.CONDOTTO F-K-PL20.16 DRIVEN GEAR F-K-PL20.16	5
5	27720856		1	INGR.CONDUTTORE PL20.16-82/FS DRIVE SHAFT PL20.16-82/FS	7
4	25930383		2	RASAMENTO PL20 S/D R05 (GGB) THRUST PLATE PL20 S/D R05 (GGB)	2
3	21915751		1	COPERCHIO POST. PL20/AL REAR COVER PL20/AL	4
2	21911152		1	COPERCHIO ANT. PL20/AL FRONT COVER PL20/AL	9
1	17672144		1	CORPO PL20.16-LEB/EA BODY PL20.16-LEB/EA	10

Cap.Forn./Rules Suppl.	Trattamento Termico / Heat Treatment		Trattamento Superficiale / Surface Treatment		Prof.(mm) / Depth
-	-		-		-
Quote senza indicazione di tolleranza / Unless otherwise specified tolerances			Materiale / Material		Durezza / Hardness
GRADO DI PRECISIONE ACCURACY LEVEL			-		-
Disegnato/Drawn	Approvato/Approved	Mod.Tecn./Release change	Progetto/Project	Stato / Process	Scala/Scale
Data Date	23-05-2016	23-05-2016	-	-	1:1
Firma Signature	CozzolinoV	GuidettiM	File	Codice Grezzo / Master Code	Formato/Size
			10342	02004647	A4

 <p>CASAPPA FLUID POWER DESIGN</p> <p>The information hereon is the property of CASAPPA Spa. Without written permission, any copying, trasmittal to others and any use except that for which it's loaned, is prohibited.</p>	Descrizione / Description		Ind. Mod./ Index Rev.
	POMPA PLP20.16S0-82E2-LEB/EA-N-EL-FS PUMP PLP20.16S0-82E2-LEB/EA-N-EL-FS		1
Codice / Code	Sostituisce / It replaces		
02004647			