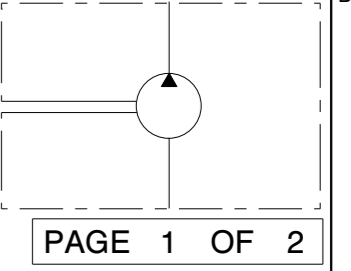


Signature for approval _____
 Date: _____

For operating condition outside those stated, please consult Casappa S.p.A. Technical sales department

Dimensions w/o tol:
 - Both machining ref.: < 400 ± 0.6; ≥ 400 ± 1
 - One or both rough ref.: ± 3
 Dimensions are in mm.



Cap.Forn./Rules Suppl.	Trattamento Termico / Heat Treatment	Trattamento Superficiale / Surface Treatment	Prof.(mm) / Depth
-	-	-	-
Quote senza indicazione di tolleranza / Unless otherwise specified tolerances		Materiale / Material	Durezza / Hardness
GRADO DI PRECISIONE ACCURACY LEVEL		-	-
Disegnato/Drawn	Approvato/Approved	Mod.Tecn./ Release change	Progetto/Project
29-11-2017	29-11-2017	11929	-
Firma Signature	RossiC	GuidettiM	File 02004645
Descrizione / Description			Scala/Scale
POMPA PLP20.14S0-82E2-LEB/EA-N-EL FS			7:10
PUMP PLP20.14S0-82E2-LEB/EA-N-EL FS			Formato/Size A3
Codice / Code			Ind. Mod./ Index Rev.
02004645			1
Sostituisce / It replaces			-

CASAPPA
 FLUID POWER DESIGN

The information hereon is the property of CASAPPA Spa. Without written permission, any copying, transmittal to others and any use except that for which it's loaned, is prohibited.

6

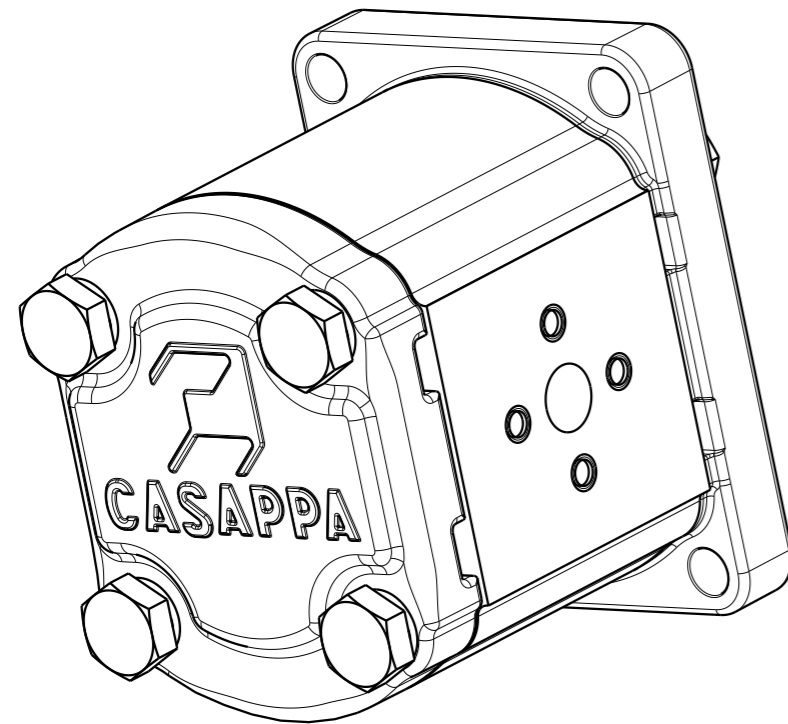
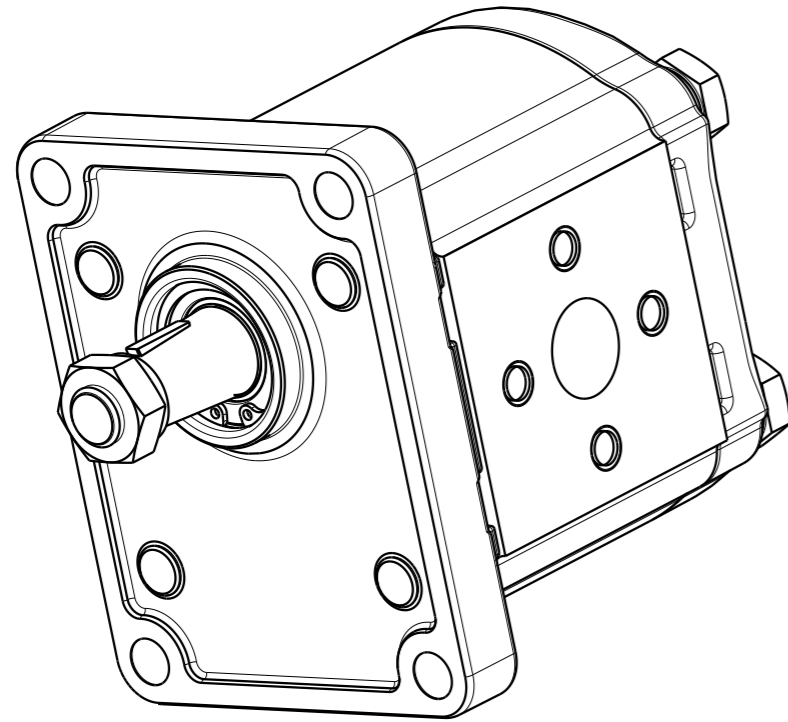
5

4

3

2

1



PUMP DATA

Senso di rotazione (guardando l'albero conduttore) Direction of rotation (looking on drive shaft)		Sinistro (S) Counter Clockwise (S)
Cilindrata - Displacement		14.53 [cm ³ /rev]
Campo pressione di alimentazione per pompe Inlet pressure range for pump		0.7 - 3 [bar abs.]
Pressione max continua - Max continuous pressure		P1 250 [bar]
Pressione max intermittente - Max intermittent pressure		P2 280 [bar]
Pressione max picco - Max peak pressure		P3 300 [bar]
Velocità - Speed		min P1 500 [min ⁻¹]
		max P1 3500 [min ⁻¹]
Guarnizioni - Seals type		NBR
Temperatura minima - Min temperature		-25 [°C]
Temperatura massima - Max temperature		continuous +80 [°C]
		peak +100 [°C]
Campo di viscosità - Viscosity range		recommended 12 to 100 mm ² /s (cSt)
		permitted max 750 mm ² /s (cSt)
Classe di contaminazione raccomandata per il fluido Recommended fluid contamination class		$\Delta p > 200$ bar $\beta_x = 75 - 10 \mu\text{m}$ 8 - Nas 1638 19/17/14 - ISO 4406
		$\Delta p < 200$ bar $\beta_x = 75 - 25 \mu\text{m}$ 10 - Nas 1638 21/19/16 - ISO 4406
Codice del prototipo - Prototype code		-
Codice cliente - Customer code		-
Valvola di massima pressione - Relief valve		- [bar]
Pressione di stand-by valvola LS - Stand-by pressure LS valve		- [bar]
Peso - Weight		2.680 kg
Vernice - Painting		-
Trattamenti speciali - Special treatment		-

Independently from the max rated pressure values indicated in the table, the max admissible torque of the output shaft and (when applicable) of connecting hub(s) must be respected. Consequently it could be necessary to limit the max working pressures accordingly.

Indipendentemente dai valori di massima pressione riportati in tabella, devono essere rispettate le coppie massime ammissibili su alberi e/o mozzi di trascinamento. Pertanto potrebbe risultare necessario limitare le pressioni massime di esercizio di conseguenza.

PAGE 2 OF 2

Signature for approval

Date: _____

For operating condition outside those stated, please consult Casappa S.p.A. Technical sales department

Cap.Forn./Rules Suppl.	Trattamento Termico / Heat Treatment	Trattamento Superficiale / Surface Treatment	Prof.(mm) / Depth
-	-	-	-
Quote senza indicazione di tolleranza / Unless otherwise specified tolerances		Materiale / Material	Durezza / Hardness
GRADO DI PRECISIONE ACCURACY LEVEL		-	-
Data	Disegnato/Drawn	Approvato/Approved	Mod.Tecn./ Release change
Date	29-11-2017	29-11-2017	11929
Firma	RossiC	GuidettiM	Progetto/Project
Signature			File
			02004645
			Stato / Process
			7:10
			Scala/Scale
			A3
			Formato/Size
			Ind. Mod./ Index Rev.
			1
Descrizione / Description		Codice / Code	
POMPA PLP20.14S0-82E2-LEB/EA-N-EL FS		02004645	
PUMPA PLP20.14S0-82E2-LEB/EA-N-EL FS		Sostituisce / It replaces	
		-	

CASAPPA
FLUID POWER DESIGN

The information hereon is the property of CASAPPA Spa. Without written permission, any copying, transmittal to others and any use except that for which it's loaned, is prohibited.