

For operating condition outside those stated, please consult Casappa S.p.A. Technical sales department

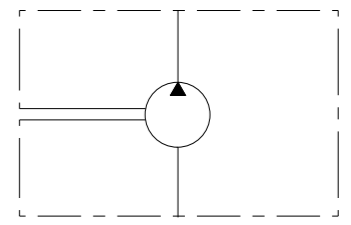
Dimensions w/o tol:

- Both machining ref.: < 400 ± 0.6; ≥ 400 ± 1
- One or both rough ref.: ± 3

Dimensions are in mm.

Signature for approval \_\_\_\_\_

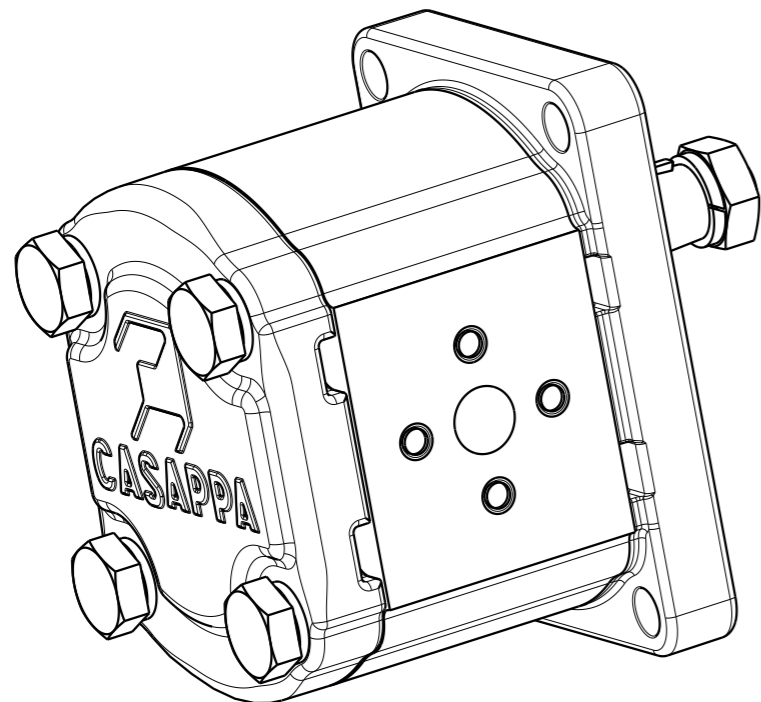
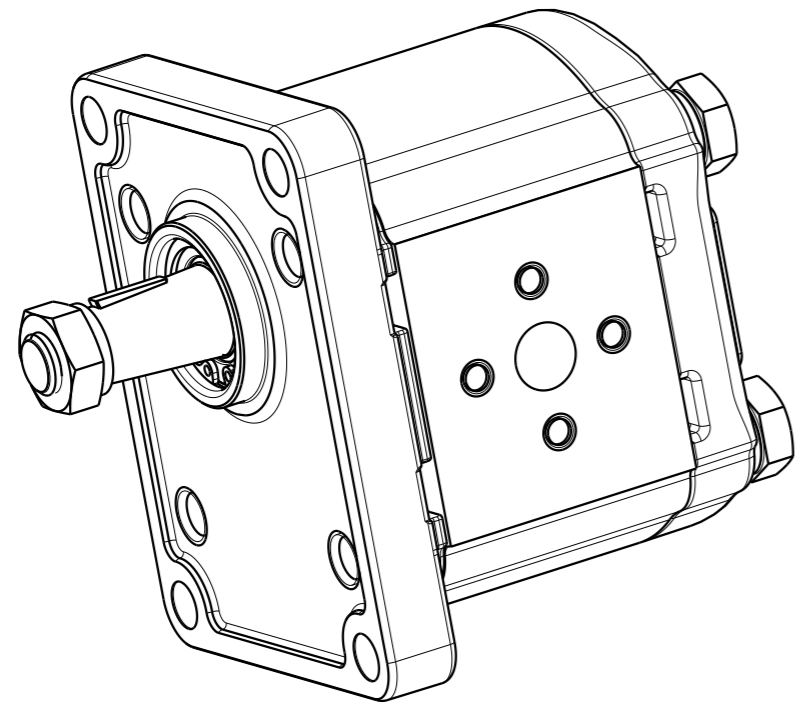
Date: \_\_\_\_\_



Cap.Forn./Rules Suppl.	Trattamento Termico / Heat Treatment	Trattamento Superficiale / Surface Treatment	Prof.(mm) / Depth
-	-	-	-
Quote senza indicazione di tolleranza / Unless otherwise specified tolerances		Materiale / Material	Durezza / Hardness
GRADO DI PRECISIONE ACCURACY LEVEL		-	-
Disegnato/Drawn	Approvato/Approved	Mod.Tecn./ Release change	Progetto/Project
Date	31-08-2017	31-08-2017	T1198
Firma	RossiC	GuidettiM	11637
Signature			File 02004638
Descrizione / Description			Scala/Scale
POMPA PLP20.6,3D0-82E2-LEA/EA-N-EL FS			7:10
PUMP PLP20.6,3D0-82E2-LEA/EA-N-EL FS			Formato/Size
			A3
Codice / Code			Ind. Mod./ Index Rev.
02004638			3
Sostituisce / It replaces			



The information hereon is the property of CASAPPA Spa. Without written permission, any copying, transmittal to others and any use except that for which it's loaned, is prohibited.



### PUMP DATA

Senso di rotazione (guardando l'albero conduttore) Direction of rotation (looking on drive shaft)		Destro (D) Clockwise (D)
Cilindrata - Displacement		6.61 [cm3/rev]
Campo pressione di alimentazione per pompe Inlet pressure range for pump		0.7 - 3 [bar abs.]
Pressione max continua - Max continuous pressure	P1	250 [bar]
Pressione max intermittente - Max intermittent pressure	P2	280 [bar]
Pressione max picco - Max peak pressure	P3	300 [bar]
Velocità - Speed	min P1	600 [min <sup>-1</sup> ]
	max P1	4000 [min <sup>-1</sup> ]
Guarnizioni - Seals type		NBR
Temperatura minima - Min temperature		-25 [°C]
Temperatura massima - Max temperature	continuous	+ 80 [°C]
	peak	+ 100 [°C]
Campo di viscosità - Viscosity range	recommended	12 to 100 mm <sup>2</sup> /s (cSt)
	permitted	max 750 mm <sup>2</sup> /s (cSt)
Classe di contaminazione - Contamination class	$\Delta p > 200$ bar $\beta x = 75 - 10 \mu m$	8 - Nas 1638
		19/17/14 - ISO 4406
	$\Delta p < 200$ bar $\beta x = 75 - 25 \mu m$	10 - Nas 1638
		21/19/16 - ISO 4406
Codice del prototipo - Prototype code		-
Codice cliente - Customer code		-
Valvola di massima pressione - Relief valve		- [bar]
Pressione di stand-by valvola LS - Stand-by pressure LS valve		- [bar]
Peso - Weight		2.340 kg
Vernice - Painting		-
Trattamenti speciali - Special treatment		-

Independently from the max rated pressure values indicated in the table, the max admissible torque of the output shaft and (when applicable) of connecting hub(s) must be respected. Consequently it could be necessary to limit the max working pressures accordingly.

Indipendentemente dai valori di massima pressione riportati in tabella, devono essere rispettate le coppie massime ammissibili su alberi e/o mozz di trascinamento. Pertanto potrebbe risultare necessario limitare le pressioni massime di esercizio di conseguenza.

Signature for approval

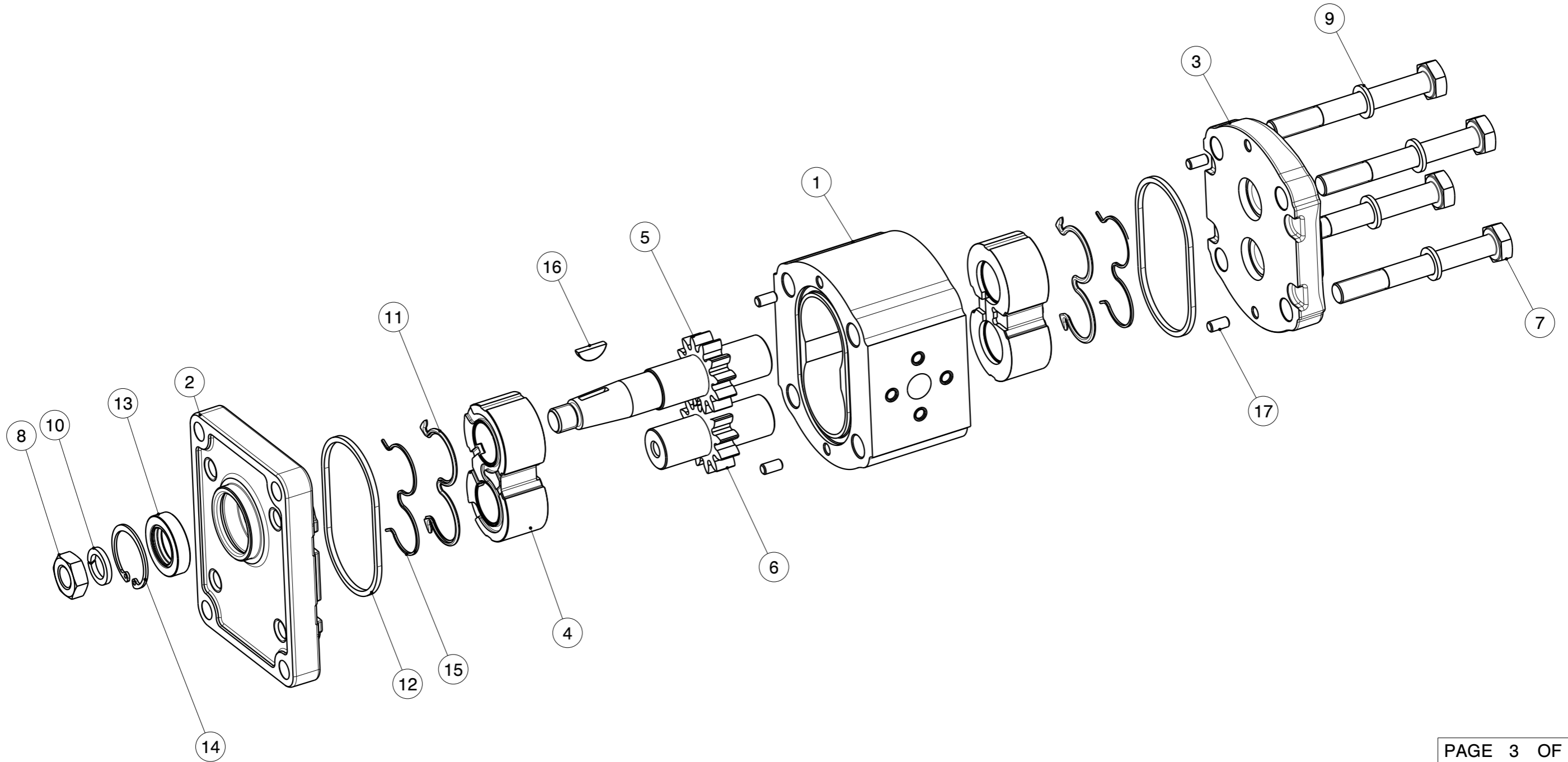
Date: \_\_\_\_\_

For operating condition outside those stated, please consult Casappa S.p.A. Technical sales department

Cap.Forn./Rules Suppl.	Trattamento Termico / Heat Treatment	Trattamento Superficiale / Surface Treatment	Prof.(mm) / Depth
-	-	-	-
Quote senza indicazione di tolleranza / Unless otherwise specified tolerances		Materiale / Material	Durezza / Hardness
GRADO DI PRECISIONE ACCURACY LEVEL		-	-
Disegnato/Drawn	Approvato/Approved	Mod.Tecn./ Release change	Progetto/Project
Date	31-08-2017	31-08-2017	T1198
Firma	RossiC	GuidettiM	11637
Signature			02004638
		Descrizione / Description	Scala/Scale
		POMPA PLP20.6,3D0-82E2-LEA/EA-N-EL FS	7:10
		PUMP PLP20.6,3D0-82E2-LEA/EA-N-EL FS	Formato/Size
			A3
		Codice / Code	Ind. Mod./ Index Rev.
		02004638	3
		Sostituisce / It replaces	-



The information hereon is the property of CASAPPA Spa. Without written permission, any copying, transmittal to others and any use except that for which it's loaned, is prohibited.




Cap.Forn./Rules Suppl.	Trattamento Termico / Heat Treatment		Trattamento Superficiale / Surface Treatment		Prof.(mm) / Depth		
-	-		-		-		
Quote senza indicazione di tolleranza / Unless otherwise specified tolerances			Materiale / Material		Durezza / Hardness		
GRADO DI PRECISIONE ACCURACY LEVEL			-		-		
	Disegnato/Drawn	Approvato/Approved	Mod.Tecn./ Release change	Progetto/Project	Stato / Process	Scala/Scale	Formato/Size
Data	31-08-2017	31-08-2017		T1198	-	1:2	A3
Firma	RossiC	GuidettiM	11637	File	Codice Grezzo / Master Code		
Signature				02004638	-		
			Descrizione / Description <b>POMPA PLP20.6,3D0-82E2-LEA/EA-N-EL FS</b> <b>PUMP PLP20.6,3D0-82E2-LEA/EA-N-EL FS</b>			Ind. Mod./ Index Rev. <b>3</b>	
The information hereon is the property of CASAPPA Spa. Without written permission, any copying, trasmittal to others and any use except that for which it's loaned, is prohibited.			Codice / Code <b>02004638</b>		Sostituisce / It replaces -		

Pos.	Codice Code	Kit	Q.tà Q.ty	Descrizione Description	Indice modifica Index revision
17	49270000		4	SPINA MM.5x10 UNI1707 H8 DOWEL PIN MM.5x10 UNI1707 H8	1
16	42520000		1	LINGUETTA 3.15X6.5 280 HB KEY 3.15X6.5	1
15	41387101		2	ANTIESTRUSORE PL-K20 S/D Z (SIC) (BZ) ANTIEXTRUSION PL-K20 S/D Z (SIC) (BZ)	5
14	40661000		1	ANELLO 30 UNI 7437-DIN 472 RING 30 UNI 7437-DIN 472	0
13	39700000		1	PARAOLIO BABSL 18X30X7 SHAFT SEAL BABSL 18X30X7	1
12	39666195		2	GUARNIZIONE PL 20 STANDARD SEZIONE QUADRATA STANDARD SEAL PL 20 SQUARE SECTION	0
11	39656101		2	GUARNIZIONE PL-K20 S/D (SIC) (BZ) SEAL PL-K20 S/D (SIC) (BZ)	1
10	37583803		1	ROSETTA 12 DIN 7980 GEOMET 321/A WASHER 12 DIN 7980 GEOMET321/A	0
9	37583716		4	ROSETTA 10 (10,5x16x2) HV300 GEOMET 321/A WASHER 10 (10,5x16x2) HV300 GEOMET 321/A	0
8	36860000		1	DADO M 12X1,5 UNI 5589-A-6S-GEOMET 321/A PLUS M NUT M 12X1,5 UNI 5589-A-6S-GEOMET 321/A PLUS M	0
7	36593002		4	VITE TE M 10X85 - 5737 - 10.9 GEOMET 321/A PLUS M SCREW TE M 10X85 - 5737 - 10.9 GEOMET 321/A PLUSM	0
6	27750010		1	INGR.CONDOTTO F-K-PL20.6,3 DRIVEN GEAR F-K-PL20.6,3	4
5	27720846		1	INGR.CONDOTTORE PL20.6,3-82/FS DRIVE SHAFT PL20.6.3-82/FS	7
4	25930732		2	RASAMENTO PL20 S/D R05 (ES) THRUST PLATE PL20 S/D R05 (ES)	2
3	21915751		1	COPERCHIO POST. PL20/AL REAR COVER PL20/AL	4
2	21911152		1	COPERCHIO ANT.PL20/AL FRONT COVER PL20/AL	9
1	17672136		1	CORPO PL20.6.3-LEA/EA BODY PL20.6.3-LEA/EA	9

PAGE 4 OF 4

Cap.Forn./Rules Suppl.	Trattamento Termico / Heat Treatment	Trattamento Superficiale / Surface Treatment	Prof.(mm) / Depth
-	-	-	-
Quote senza indicazione di tolleranza / Unless otherwise specified tolerances		Materiale / Material	Durezza / Hardness
GRADO DI PRECISIONE ACCURACY LEVEL		-	-
Disegnato/Drawn	Approvato/Approved	Mod.Tecn./ Release change	Progetto/Project
Data Date	31-08-2017	31-08-2017	T1198
Firma Signature	RossiC	GuidettiM	02004638
			Scala/Scale
			7:10
			Formato/Size
			A4
			Ind. Mod./ Index Rev.
			3



**CASAPPA**  
FLUID POWER DESIGN

The information hereon is the property of CASAPPA Spa. Without written permission, any copying, trasmittal to others and any use except that for which it's loaned, is prohibited.

Descrizione / Description

**POMPA PLP20.6,3D0-82E2-LEA/EA-N-EL FS**  
**PUMP PLP20.6,3D0-82E2-LEA/EA-N-EL FS**

Codice / Code

02004638

Sostituisce / It replaces

-