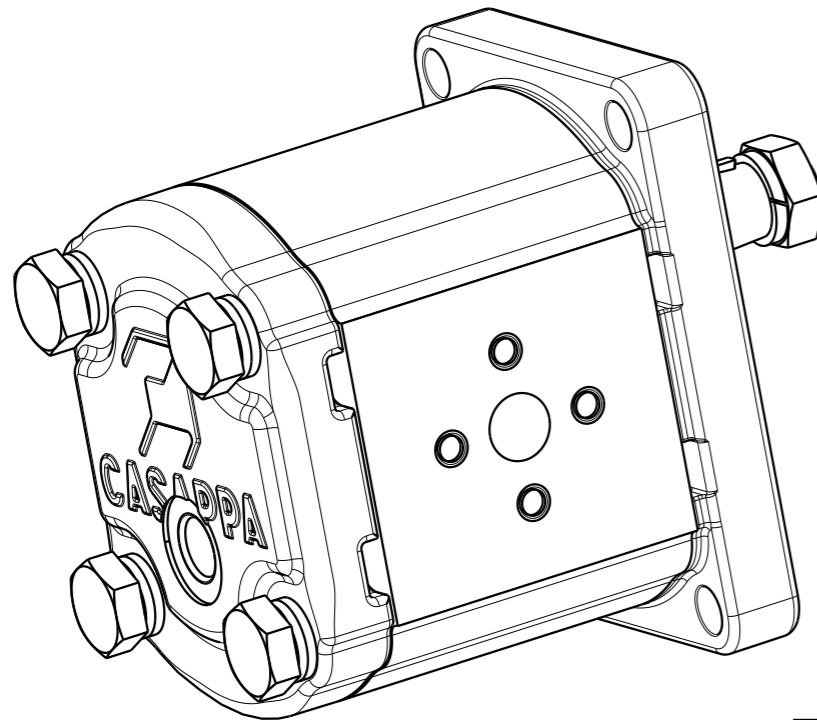
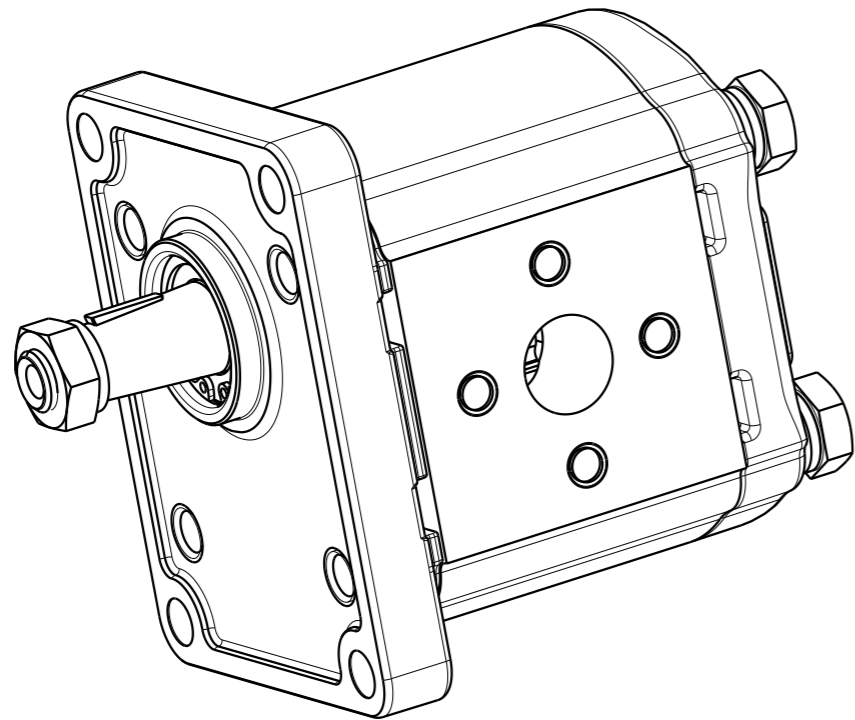


Signature for approval _____
 Date: _____

For operating condition outside those stated, please consult Casappa S.p.A. Technical sales department

Cap.Forn./Rules Suppl.	Trattamento Termico / Thermic Treatment	Trattamento Superficiale / Superficial Treatment	Prof.(mm) / Dept
-	-	-	-
Quote senza indicazione di tolleranza / Dimensions without tolerance		Materiale / Material	Durezza / Hardness
GRADO DI PRECISIONE ACCURACY LEVEL		-	-
Data / Date	Disegnato/Drawing	Approvato/Approved	Mod.Tecn./ Revision
05-06-2017	05-06-2017	11424	Project
Firma / Signature	RossiC	GuidettiM	File
			01999805
Particolare / Description			Ind. Mod./ Index Rev.
CASAPPA® FLUID POWER DESIGN MOTORE PLM20.14R0-82E2-LEA/EB-N-EL MOTOR PLM20.14R0-82E2-LEA/EB-N-EL			1
Codice / Code		Sostituisce / Replace	-
01999805		Sostituito da / Replaced from	-

The information hereon is the property of CASAPPA Spa. Without written permission, any copying, trasmittal to others and any use except that for which it's loaned, is prohibited.



Signature for approval

Date: _____

For operating condition outside those stated, please consult Casappa S.p.A. Technical sales department

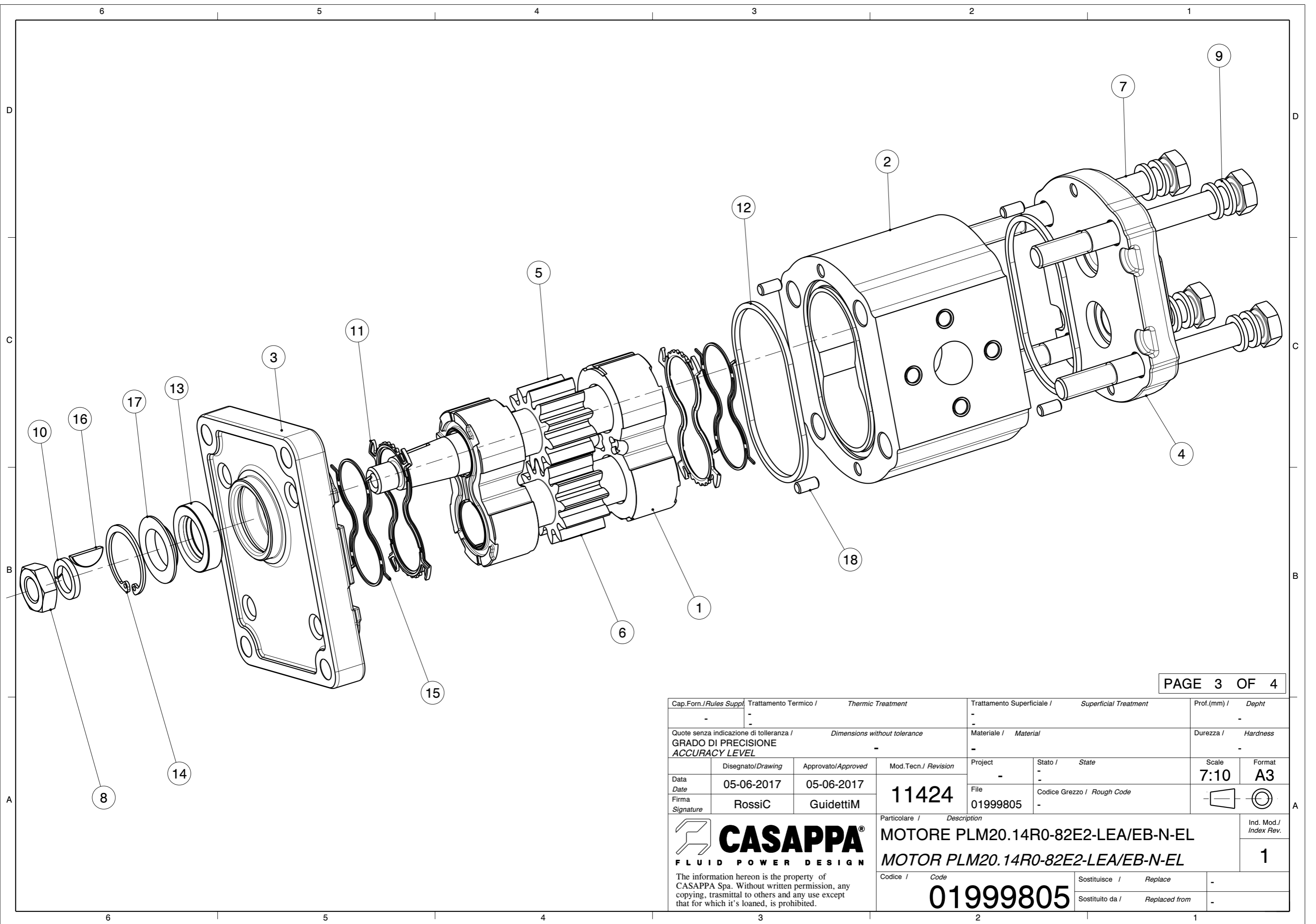
MOTOR DATA

Senso di rotazione (guardando l'albero conduttore) Direction of rotation (looking on drive shaft)		Reversibile (R) Reversible (R)
Cilindrata - Displacement		14.53 [cm ³ /rev]
Pressione max continua - Max continuous pressure	P1	260 [bar]
Pressione max intermittente - Max intermittent pressure	P2	280 [bar]
Pressione max picco - Max peak pressure	P3	300 [bar]
Pressione max sullo scarico dei motori unidirezionali Max back pressure for single rotation motors	P1 (cont.)	- [bar]
	P2 (20 s)	- [bar]
	P3 (8 s)	- [bar]
Pressione max sul drenaggio dei motori reversibili Max drain line pressure on the reversible rotation motors		5 [bar]
Velocità - Speed	min P1	500 [min ⁻¹]
	max P1	3500 [min ⁻¹]
Guarnizioni - Seals type		NBR
Temperatura di esercizio - Operating temperature		-25 to +80 [°C]
Campo di viscosità - Viscosity range	recommended	12 to 100 mm ² /s (cSt)
	permitted	max 750 mm ² /s (cSt)
Classe di contaminazione - Contamination class	Δp > 200 bar βx = 75 - 10 μm	8 - Nas 1638
		19/17/14 - ISO 4406
	Δp < 200 bar βx = 75 - 25 μm	10 - Nas 1638 21/19/16 - ISO 4406
Codice del prototipo - Prototype code		-
Codice cliente - Customer code		-
Valvola di massima pressione - Relief valve		[bar]
Pressione di stand-by valvola LS - Stand-by pressure LS valve		[bar]
Peso - Weight		2.730 [kg]
Vernice - Painting		
Trattamenti speciali - Special treatment		

Cap.Forn./Rules Suppl.	Trattamento Termico / Thermic Treatment	Trattamento Superficiale / Superficial Treatment	Prof.(mm) / Depht
-	-	-	-
Quote senza indicazione di tolleranza / GRADO DI PRECISIONE ACCURACY LEVEL	Materiale / Material		Durezza / Hardness
-	-		-
Data	Disegnato/Drawing	Approvato/Approved	Mod.Tecn./ Revision
05-06-2017	05-06-2017	11424	Project
Firma	RossiC	GuidettiM	Stato / State
Signature			-
			Scale
			7:10
			Format
			A3
			File
			01999805
			Codice Grezzo / Rough Code
			-
			Particolare / Description
			MOTORE PLM20.14R0-82E2-LEA/EB-N-EL
			MOTOR PLM20.14R0-82E2-LEA/EB-N-EL
			Codice / Code
			01999805
			Sostituisce / Replace
			-
			Sostituito da / Replaced from
			-
			Ind. Mod./ Index Rev.
			1



The information hereon is the property of CASAPPA Spa. Without written permission, any copying, trasmittal to others and any use except that for which it's loaned, is prohibited.



Cap.Forn./Rules Suppl.	Trattamento Termico / Thermic Treatment	Trattamento Superficiale / Superficial Treatment	Prof.(mm) / Depth
-	-	-	-
Quote senza indicazione di tolleranza / GRADO DI PRECISIONE ACCURACY LEVEL	Dimensioni without tolerance	Materiale / Material	Durezza / Hardness
-	-	-	-
Data Date	Disegnato/Drawing	Approvato/Approved	Mod.Tecn./ Revision
05-06-2017	05-06-2017	11424	Project
Firma Signature	RossiC	GuidettiM	File
			01999805
Particolare / Description			Scale
 CASAPPA® FLUID POWER DESIGN			7:10
MOTORE PLM20.14R0-82E2-LEA/EB-N-EL MOTOR PLM20.14R0-82E2-LEA/EB-N-EL			Format A3
Codice / Code			Ind. Mod./ Index Rev.
01999805			1
Sostituisce / Replace		-	
Sostituito da / Replaced from		-	

The information hereon is the property of CASAPPA Spa. Without written permission, any copying, trasmittal to others and any use except that for which it's loaned, is prohibited.

18	49270000		4	SPINA MM.5x10 UNI1707 H8 DOWEL PIN MM.5x10 UNI1707 H8	1
17	45620000		1	PIASTRINA PARAOLIO GR.2 BACK-UP WASHER GR.2	3
16	42520000		1	LINGUETTA 3.15X6.5 280 HB KEY 3.15X6.5	1
15	41387112		2	ANTIESTRUSORE Z PL20 R T.N. ANTIEXTRUSION Z PL20 R T.N.	2
14	40661000		1	ANELLO 30 UNI 7437-DIN 472 RING 30 UNI 7437-DIN 472	0
13	39800000		1	PARAOLIO BAU2 18X30X7 SHAFT SEAL BAU2 18X30X7	0
12	39666195		2	GUARNIZIONE PL 20 STANDARD SEZIONE QUADRATA STANDARD SEAL PL 20 SQUARE SECTION	0
11	39656112		2	GUARNIZIONE PL20 R T.N. SEAL PL20 R N T.N.	2
10	37583803		1	ROSETTA 12 DIN 7980 GEOMET 321/A WASHER 12 DIN 7980 GEOMET321/A	0
9	37583716		8	ROSETTA 10 (10,5x16x2) HV300 GEOMET 321/A WASHER 10 (10,5x16x2) HV300 GEOMET 321/A	0
8	36860000		1	DADO M 12X1,5 UNI 5589-A-6S-GEOMET 321/A PLUS M NUT M 12X1,5 UNI 5589-A-6S-GEOMET 321/A PLUS M	0
7	36593012		4	VITE TE M 10X100 5737 10.9 GEOMET 321/A PLUS M SCREW TE M 10X100 5737 10.9 GEOMET 321/A PLUS M	0
6	27750040		1	INGR.CONDOTTO F-K-PL20.14 DRIVEN GEAR F-K-PL20.14	4
5	27720040		1	INGR.CONDOTTORE K-PL20.14-82 DRIVE SHAFT K-PL20.14-82	3
4	21918652		1	COPERCHIO POST. PL20-R/AL TN REAR COVER PL20-R/AL TN	3
3	21911152		1	COPERCHIO ANT.PL20/AL FRONT COVER PL20/AL	9
2	17672142		1	CORPO PL20.14-LEB/EA (H = 66) BODY PL20.14-LEB/EA (H = 66)	8
1	25930389		2	RASAMENTO PL20 R (SIC) THRUST PLATE PL20 R (SIC)	1
Pos.	Codice Code	Kit	Q.tà Q.ty	Descrizione Description	Indice modifica Index revision

PAGE 4 OF 4

Cap.Forn./Rules Suppl.	Trattamento Termico / Thermic Treatment		Trattamento Superficiale / Superficial Treatment		Prof.(mm) / Depht
-	-		-		-
Quote senza indicazione di tolleranza / Dimensions without tolerance			Materiale / Material		Durezza / Hardness
GRADO DI PRECISIONE ACCURACY LEVEL			-		-
Disegnato/Drawing	Approvato/Approved	Mod.Tecn./ Revision	Project	Stato / State	Scale
Data Date	05-06-2017	05-06-2017	-	-	7:10
Firma Signature	RossiC	GuidettiM	File	Codice Grezzo / Rough Code	Format
			01999805	-	A4
 CASAPPA® FLUID POWER DESIGN				Particolare / Description MOTORE PLM20.14R0-82E2-LEA/EB-N-EL MOTOR PLM20.14R0-82E2-LEA/EB-N-EL	
The information hereon is the property of CASAPPA Spa. Without written permission, any copying, trasmittal to others and any use except that for which it's loaned, is prohibited.				Ind. Mod./ Index Rev. 1	
Codice / Code			Sostituisce / Replace		-
01999805			Sostituito da / Replaced from		-