

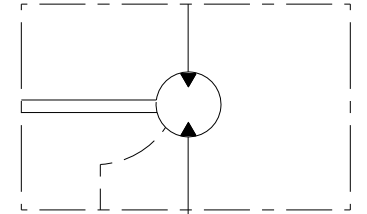
Signature for approval _____
 Date: _____

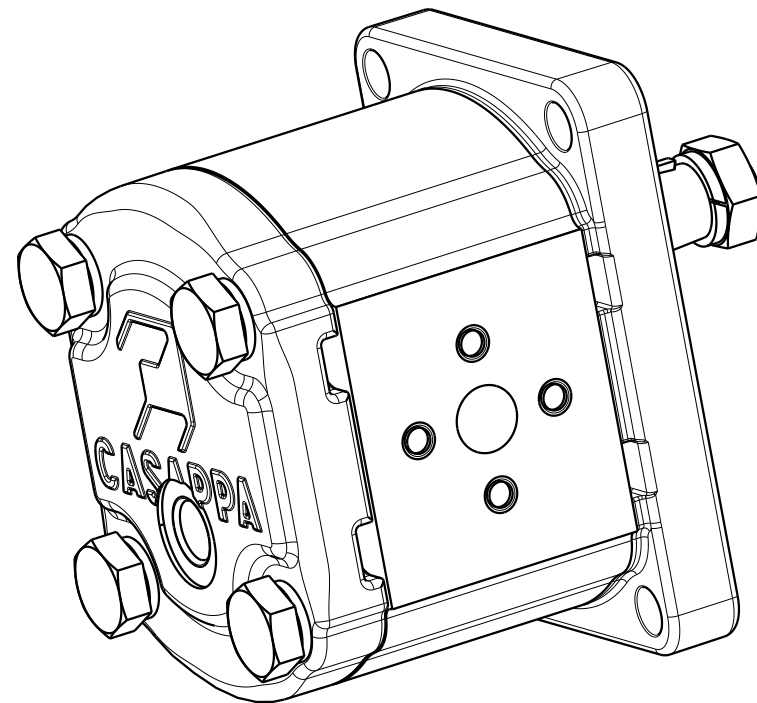
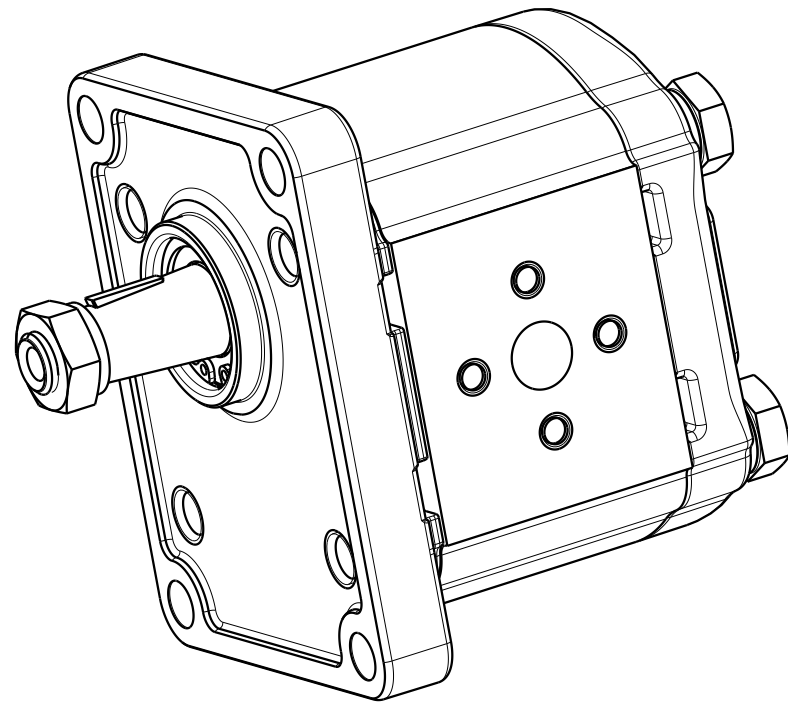
For operating condition outside those stated, please consult Casappa S.p.A. Technical sales department

Cap.Forn./Rules Suppl.	Trattamento Termico / Heat Treatment	Trattamento Superficiale / Surface Treatment	Prof.(mm) / Depth
-	-	-	-
Quote senza indicazione di tolleranza / Unless otherwise specified tolerances		Materiale / Material	Durezza / Hardness
GRADO DI PRECISIONE ACCURACY LEVEL		-	-
Disegnato/Drawn	Approvato/Approved	Mod.Tecn./ Release change	Progetto/Project
Date	31-10-2018	31-10-2018	U1289
Firma	BottiC	CarusoD	12752
Signature			File
			01999802
Descrizione / Description			Scala/Scale
MOTORE PLM20.6,3R0-82E2-LEA/EA-N-EL			7:10
MOTOR PLM20.6,3R0-82E2-LEA/EA-N-EL			Formato/Size
			A3
Codice / Code			Ind. Mod./ Index Rev.
01999802			1
Sostituisce / It replaces			

CASAPPA®
 FLUID POWER DESIGN

The information herein is the property of CASAPPA Spa. Without written permission, any copying, transmittal to others and any use except that for which it's loaned, is prohibited.





MOTOR DATA

Senso di rotazione (guardando l'albero conduttore) Direction of rotation (looking on drive shaft)		Reversibile (R) Reversible (R)
Cilindrata - Displacement		6.61 [cm3/rev]
Pressione max continua - Max continuous pressure	P1	250 [bar]
Pressione max intermittente - Max intermittent pressure	P2	250 [bar]
Pressione max picco - Max peak pressure	P3	250 [bar]
Pressione max sullo scarico dei motori unidirezionali Max back pressure for single rotation motors	P1 (cont.)	- [bar]
	P2 (20 s)	- [bar]
	P3 (8 s)	- [bar]
Pressione max sul drenaggio dei motori reversibili Max drain line pressure on the reversible rotation motors		5 [bar]
Velocità - Speed	min P1	600 [min ⁻¹]
	max P1	4000 [min ⁻¹]
Guarnizioni - Seals type		NBR
Temperatura di esercizio - Operating temperature		-25 to +80 [°C]
Campo di viscosità - Viscosity range	recommended	12 to 100 mm ² /s (cSt)
	permitted	max 750 mm ² /s (cSt)
Classe di contaminazione raccomandata per il fluido Recommended fluid contamination class	$\Delta p > 200$ bar $\beta x = 75 - 10 \mu m$	8 - Nas 1638 19/17/14 - ISO 4406
	$\Delta p < 200$ bar $\beta x = 75 - 25 \mu m$	10 - Nas 1638 21/19/16 - ISO 4406
Codice del prototipo - Prototype code		-
Codice cliente - Customer code		-
Valvola di massima pressione - Relief valve		[bar]
Pressione di stand-by valvola LS - Stand-by pressure LS valve		[bar]
Peso - Weight		2.390 [kg]
Vernice - Painting		
Trattamenti speciali - Special treatment		

Independently from the max rated pressure values indicated in the table, the max admissible torque of the output shaft and (when applicable) of connecting hub(s) must be respected. Consequently it could be necessary to limit the max working pressures accordingly.

Indipendentemente dai valori di massima pressione riportati in tabella, devono essere rispettate le coppie massime ammissibili su alberi e/o mozzi di trascinamento. Pertanto potrebbe risultare necessario limitare le pressioni massime di esercizio di conseguenza.

Signature for approval

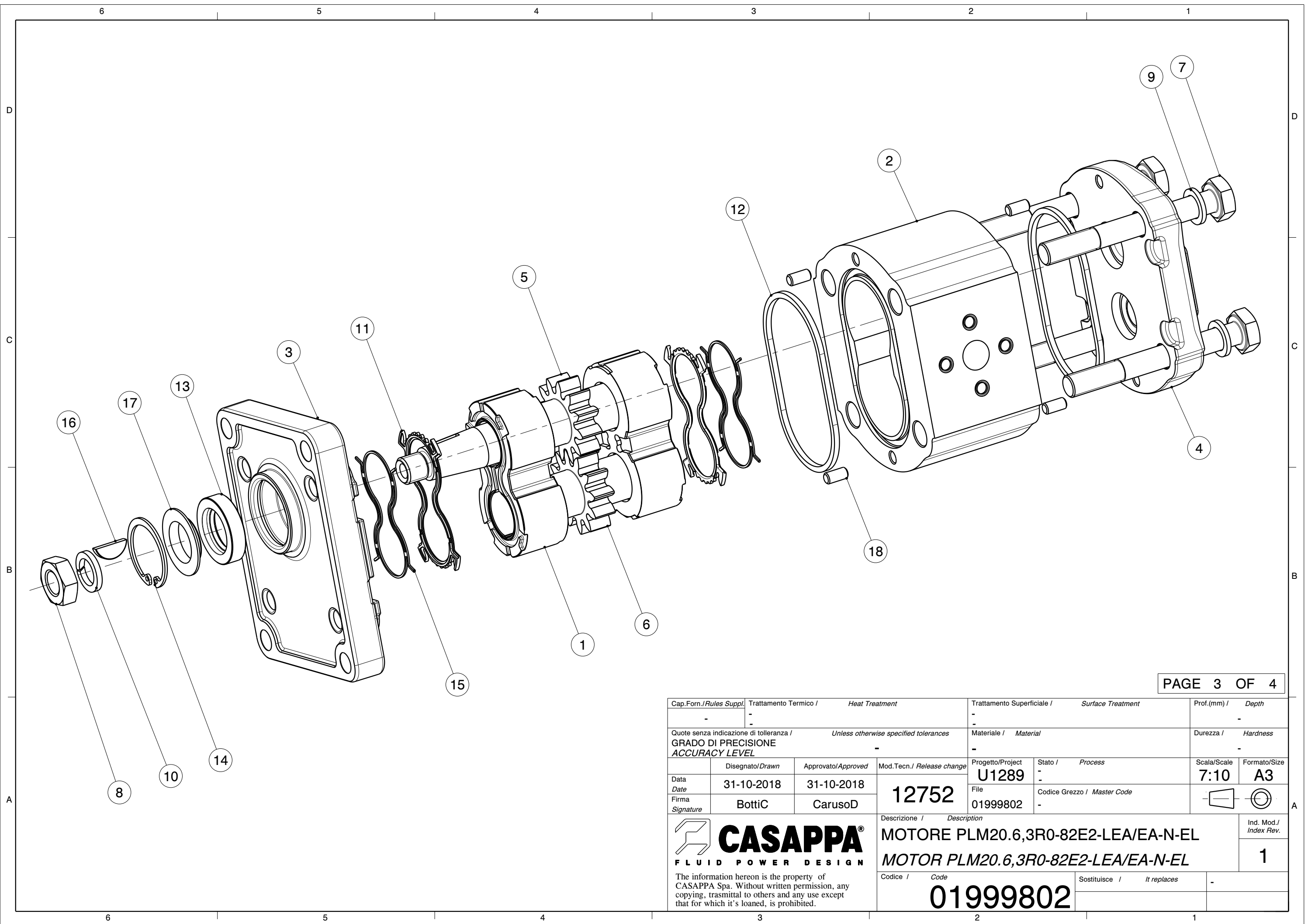
Date: _____

For operating condition outside those stated, please consult Casappa S.p.A. Technical sales department

Cap.Forn./Rules Suppl.	Trattamento Termico / Heat Treatment	Trattamento Superficiale / Surface Treatment	Prof.(mm) / Depth
-	-	-	-
Quote senza indicazione di tolleranza / Unless otherwise specified tolerances		Materiale / Material	Durezza / Hardness
GRADO DI PRECISIONE ACCURACY LEVEL		-	-
Disegnato/Drawn	Approvato/Approved	Mod.Tecn./ Release change	Scala/Scale
31-10-2018	31-10-2018	U1289	7:10
Firma Signature	BottiC	CarusoD	Formato/Size A3
		12752	File 01999802
			Codice Grezzo / Master Code
			-
Descrizione / Description			Ind. Mod./ Index Rev.
MOTORE PLM20.6,3R0-82E2-LEA/EA-N-EL			1
MOTOR PLM20.6,3R0-82E2-LEA/EA-N-EL			
Codice / Code	Sostituisce / It replaces		-
01999802			



The information hereon is the property of CASAPPA Spa. Without written permission, any copying, transmittal to others and any use except that for which it's loaned, is prohibited.




Cap.Forn./Rules Suppl.	Trattamento Termico / Heat Treatment		Trattamento Superficiale / Surface Treatment		Prof.(mm) / Depth
-	-		-		-
Quote senza indicazione di tolleranza / Unless otherwise specified tolerances			Materiale / Material		Durezza / Hardness
GRADO DI PRECISIONE / ACCURACY LEVEL			-		-
	Disegnato/Drawn	Approvato/Approved	Mod.Tecn./ Release change	Progetto/Project	Stato / Process
				U1289	-
Data	31-10-2018	31-10-2018	12752	File	Scala/Scale
Firma	BottiC	CarusoD		01999802	7:10
Signature					Formato/Size
					A3
					Ind. Mod./ Index Rev.
Descrizione / Description MOTORE PLM20.6,3R0-82E2-LEA/EA-N-EL MOTOR PLM20.6,3R0-82E2-LEA/EA-N-EL					1
Codice / Code			Sostituisce / It replaces		-
01999802					

The information hereon is the property of CASAPPA Spa. Without written permission, any copying, transmittal to others and any use except that for which it's loaned, is prohibited.

Pos.	Codice Code	Kit	Q.tà Q.ty	Descrizione Description	Indice modifica Index revision
18	49270000		4	SPINA MM.5x10 UNI1707 H8 DOWEL PIN MM.5x10 UNI1707 H8	1
17	45620000		1	PIASTRINA PARAOLIO GR.2 BACK-UP WASHER GR.2	3
16	42520000		1	LINGUETTA 3.15X6.5 280 HB KEY 3.15X6.5	1
15	41387112		2	ANTIESTRUSORE Z PL20 R T.N. ANTIEXTRUSION Z PL20 R T.N.	4
14	40661000		1	ANELLO 30 UNI 7437-DIN 472 RING 30 UNI 7437-DIN 472	0
13	39800000		1	PARAOLIO BAU2 18X30X7 SHAFT SEAL BAU2 18X30X7	0
12	39666195		2	GUARNIZIONE PL 20 STANDARD SEZIONE QUADRATA STANDARD SEAL PL 20 SQUARE SECTION	1
11	39656112		2	GUARNIZIONE PL20 R T.N. SEAL PL20 R N T.N.	3
10	37583803		1	ROSETTA 12 DIN 7980 GEOMET 321/A WASHER 12 DIN 7980 GEOMET321/A	0
9	37583716		4	ROSETTA 10 (10,5x16x2) HV300 GEOMET 321/A WASHER 10 (10,5x16x2) HV300 GEOMET 321/A	0
8	36860000		1	DADO M 12X1,5 UNI 5589-A-6S-GEOMET 321/A PLUS M NUT M 12X1,5 UNI 5589-A-6S-GEOMET 321/A PLUS M	0
7	36593002		4	VITE TE M 10X85 - 5737 - 10.9 GEOMET 321/A PLUS M SCREW TE M 10X85 - 5737 - 10.9 GEOMET 321/A PLUS M	0
6	27750010		1	INGR.CONDOTTO F-K-PL20.6,3 DRIVEN GEAR F-K-PL20.6,3	4
5	27720010		1	INGR.CONDOTTORE K-PL20.6,3-82 DRIVE SHAFT K-PL20.6.3-82	3
4	21918652		1	COPERCHIO POST. PL20-R/AL TN REAR COVER PL20-R/AL TN	3
3	21911152		1	COPERCHIO ANT.PL20/AL FRONT COVER PL20/AL	9
2	17672136		1	CORPO PL20.6.3-LEA/EA BODY PL20.6.3-LEA/EA	9
1	25930700		2	RASAMENTO PL20 R (ES) THRUST PLATE PL20 R (ES)	3

Cap.Forn./Rules Suppl.	Trattamento Termico / Heat Treatment		Trattamento Superficiale / Surface Treatment		Prof.(mm) / Depth
-	-		-		-
Quote senza indicazione di tolleranza / Unless otherwise specified tolerances			Materiale / Material		Durezza / Hardness
GRADO DI PRECISIONE ACCURACY LEVEL			-		-
Disegnato/Drawn	Approvato/Approved	Mod.Tecn./Release change	Progetto/Project	Stato / Process	Scala/Scale
31-10-2018	31-10-2018	12752	U1289	-	7:10
Firma Signature	Bottic	CarusoD	File	Codice Grezzo / Master Code	Formato/Size
			01999802	-	A4

 CASAPPA® FLUID POWER DESIGN The information hereon is the property of CASAPPA Spa. Without written permission, any copying, trasmittal to others and any use except that for which it's loaned, is prohibited.	Descrizione / Description MOTORE PLM20.6,3R0-82E2-LEA/EA-N-EL MOTOR PLM20.6,3R0-82E2-LEA/EA-N-EL		Ind. Mod./ Index Rev. 1
	Codice / Code 01999802	Sostituisce / It replaces -	